

# AC Power Cable 1.8 m US to C13

Product Code: 13866

## Manufacturer

Taiwan Line Tek Electronic Co., Ltd.  
272 Sec. 3, Bei Shen Road  
222 Shen Keng District  
New Taipei City, Taiwan R.O.C.

## Manufacturer product code

E70782

## EU-Importer

TPS Elektronik GmbH  
Senefelder Str. 8  
41066 Mönchengladbach  
Germany

## US-Importer

Allied Vision Technologies, Inc.  
102 Pickering Way  
Suite 502  
Exton, PA 19341  
USA



Everfull Electronic (Huizhou) Co.,Ltd.

產品承認書

SPECIFICATION FOR APPROVAL

CUSTOMER : TPS

APPROVAL NO.: \_\_\_\_\_

PART NO. : \_\_\_\_\_

DESCRIPTION : UL POWER CORD

SPECIFICATION: LP-30B &SVT#18/3C 60° &LS-13 BLACK

EVERFULL P/N : \_\_\_\_\_

MODEL NO. : KW19070159

DATE : 2019.08.08

LINETEK COMPANY			
MADE BY	CHECKED BY	APPROVED BY	QUALITY
Date:	Date:	Date:	Date:

CUSTOMER (SIGNATURE)			
Date:	Date:	Date:	Date:

請貴公司于完成此份產品規格書及樣品的承認後，簽回此封面給本公司做為依據，以符合ISO 9001的規定，但如果無法簽回時，本公司將依據貴公司所下此規格的第一張訂單，做為已獲得貴公司承認的依據。

**Please sign back this cover page after your approval on the specification and samples for our completion of ISO 9001 procedures. The 1st purchase order from your company will be also recognized as your approval on the specification and samples if the signed page is not returned to us on time.**



Quality Best  
Customer First







# LINETEK

## Everfull Electronic (Huizhou) Co.,Ltd.

### GENERAL SPECIFICATION

#### 1. TEST REQUIREMENTS:

1-1 CONTINUITY OF CONDUCTOR;

OPEN/SHORT CIRCUIT ARE NOT ALLOWED.

1-2. APPEARANCE:

IT SHALL NOT SHOW ANY DAMAGE ON THE SURFACE OF PRODUCTS.

1-3 DIELECTRIC VOLTAGE WITHSTAND AC 1250V/MIN.

WITH THE APPLICATION OF AC-1250V BETWEEN THE TWO CONDUCTORS FOR ONE MINUTE, THE INSULATION ON THE INDIVIDUAL CONDUCTOR SHALL BE CAPABLE OF WITHSTANDING WITHOUT BREAKDOWN.

1-4 INSULATION RESISTANCE MORE THAN 100 M $\Omega$  .

PUT FINISHED CORD UNDER 2.5MM DIAMETER. LEAD BEADS WITH THE APPLICATION OF DC-500V/MIN BETWEEN ONE OF THE CONDUCTORS AND THE GROUNDING WIRE. IT'S INSULATION RESISTANCE SHALL NOT LESS THAN 100 MEGOHMS.

1-5 TEMPERATURE RISE:

WITH THE APPLICATION OF RATING CURRENT TO SPECIMEN FOR ONE HOURS. THE TEMPERATURE RISE SHALL NOT EXCEED 30°C AGAINST ROOM TEMPERATURE.

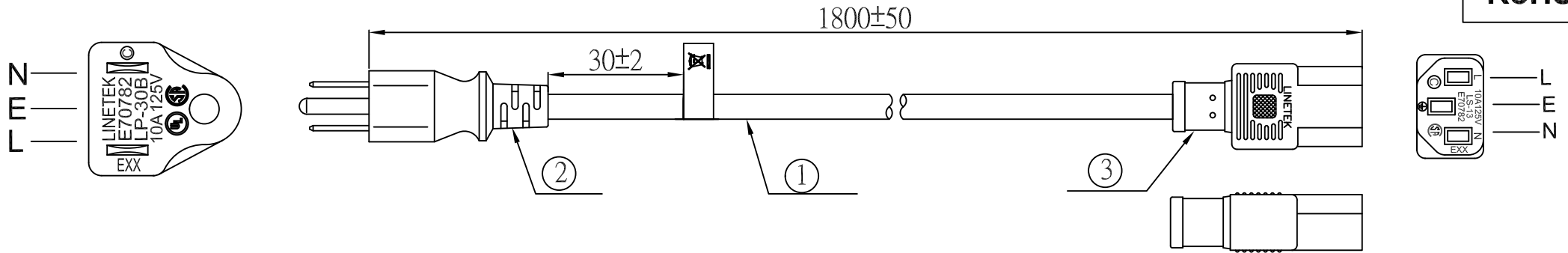
1-6 BENDING TEST:

THE SAMPLE SHALL BE LOADED WITH A WEIGHT OF 113G(284g FOR HPN TYPE), BEND THE SAMPLE BACKWARDS AND FORWARDS WITH AN ANGLE OF 90° ON EITHER OF VERTICAL FOR 2,500 TIMES. AND THE RATE FLEXING 10 PER MINUTE, NOT ALLOWED ALL BROKEN.

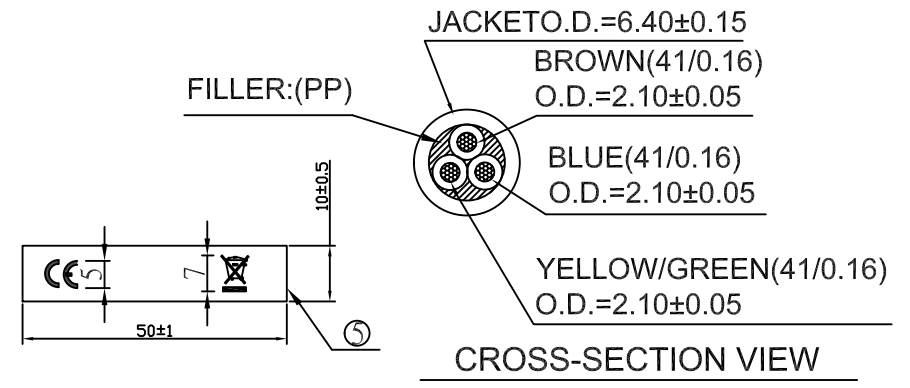
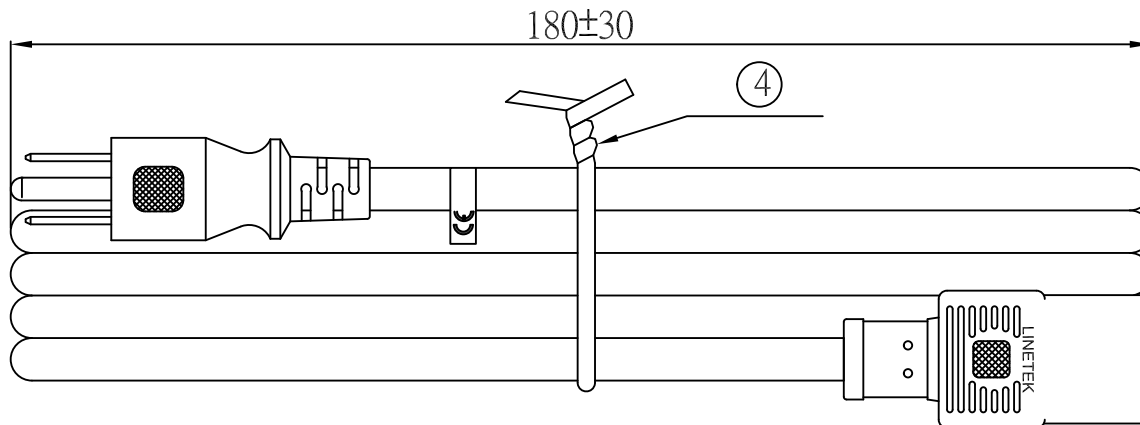
#### 2. LOAD TEST—BLADE PULL TEST:

A. RELIABILITY OF CONNECTION TO BLADES, PINS OR CONTACTS — WITH A PULL OF 30 LBS APPLY TO THE CORD FOR ONE MINUTE, THE CONNECTION BETWEEN THE BLADES AND CONDUCTORS SHOULD BE CAPABLE OF WITHSTANDING WITHOUT BREAKDOWN.

B. SECURITY OF BLADES OR PINS AGAINST DISPLACEMENT OR COMPLETE REMOVAL, EACH BLADE SHALL BE CAPABLE OF WITHSTANDING A STRAIGHT PULL OF 20 LBS FOR TWO MINUTES WITHOUT LOOSENING.



**CABLE MARKING:** (UL) E138949-E SVT 3/C 18AWG(0.824mm<sup>2</sup>) 60°C 300V VW-1 --LINETEK--  
 CSA LL90989 SVT 3/C 18AWG(0.824mm<sup>2</sup>) 60°C 300V FT2 "LF"



**Notes:**

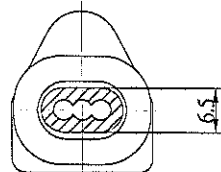
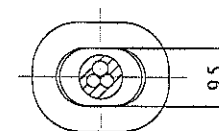
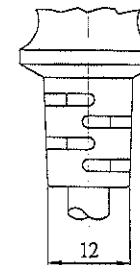
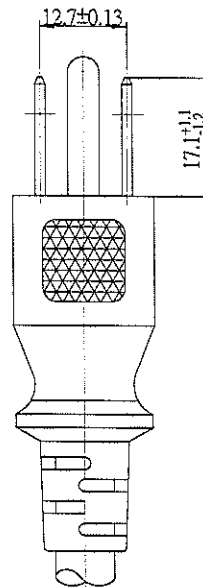
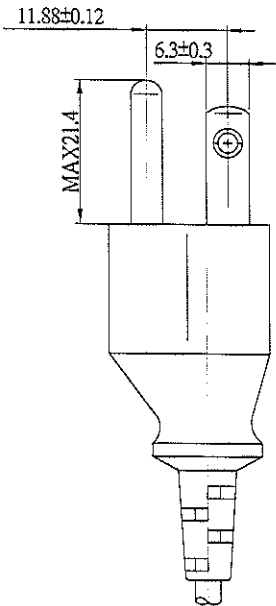
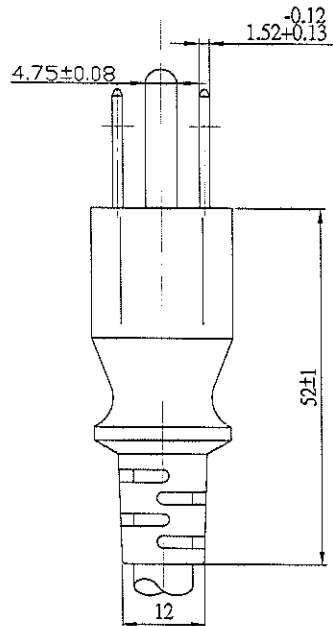
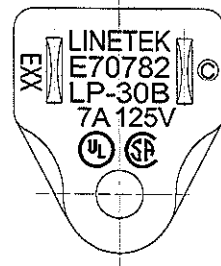
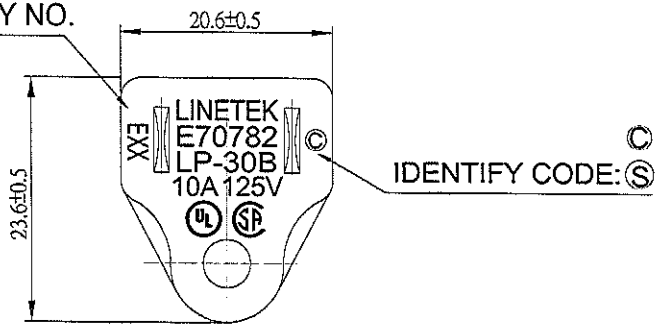
- 1:CABLE: THE CORD SHALL COMPLY WITH UL 62, 1581
- 2:PLUG: TYPE:NEMA 5-15P  
THE PLUG SHALL COMPLY WITH UL 817 AND CSA 22.2 NO.21-95,42M
- 3:CONNECTOR: THE CONNECTOR SHALL COMPLY WITH IEC60320-1 STANDARD (C13 CONNECTOR).
- 4:THE PRODUCT SHALL BE TESTED 100% FOR ALL SAFETY ELECTRICAL ITEMS
- 5:COLOR:BLACK(EA0000)
- 6.PRINT: INDENT PRINT
- 7.THE PRODUCT SHOULD COMPLY WITH RoHS STANDARD.

5	LABEL:50*10mm	1	EA
4	PE MINI TIE (BLACK)	1	EA
3	MOLDED CONNECTOR: LS-13 10A/125V	1	EA
2	MOLDED PLUG: LP-30B 10A 125V	1	EA
1	UL SVT #18/3C 60°C BLACK	1	EA
ITEM	DESCRIPTION	Q'TY	U/M

Tolerance: >0±0.3 >1±0.5 >10±1 >20±2  Angle: ±1°	Approved by:	LINETEK Everfull Electronic (Huizhou) Co.,Ltd. Customer : TPS Customer P/N: Everfull P/N:
	Checked by:	
	Drawn by: 毛永昕	
	Date: 2019.07.29	
	Scale: X Unit: mm	
Specification Use Only		DWG. NO: KW19070159 SHEET 1 OF 1

1		Original Picture		2019.07.29
REV	ECN NO	DESCRIPTION	APPD.	DATE

CAVITY NO.



SPT-1 /3C 18AWG

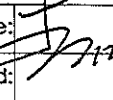

SVT /3C 18AWG  
SPT-2 /3C 18AWG

1		Original Picture		2018.07.30
REV	ECN NO	DESCRIPTION	APPD.	DATE

Suitable Flexible cord:  
SVT 18AWG/3C  
SPT-2 18AWG/3C  
SPT-1 18AWG/3C

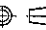
Tolerance:  
>0 ±0.3  
>5 ±0.5  
>10 ±1  
>20 ±2

Angle:  
±1°

Approve:   
Checked:   
Engineer:  
Drawn: qix  
Date: 2018.07.30

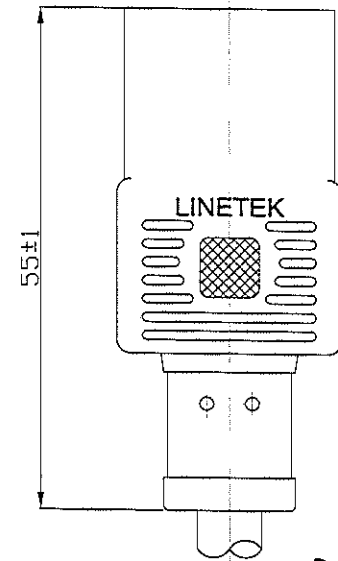
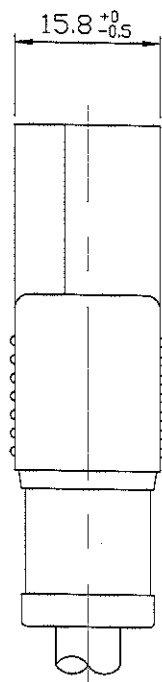
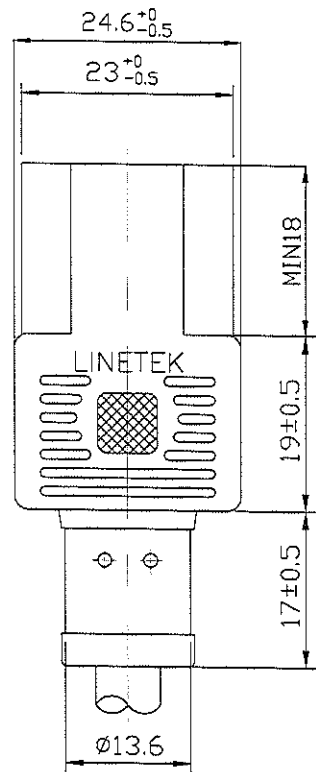
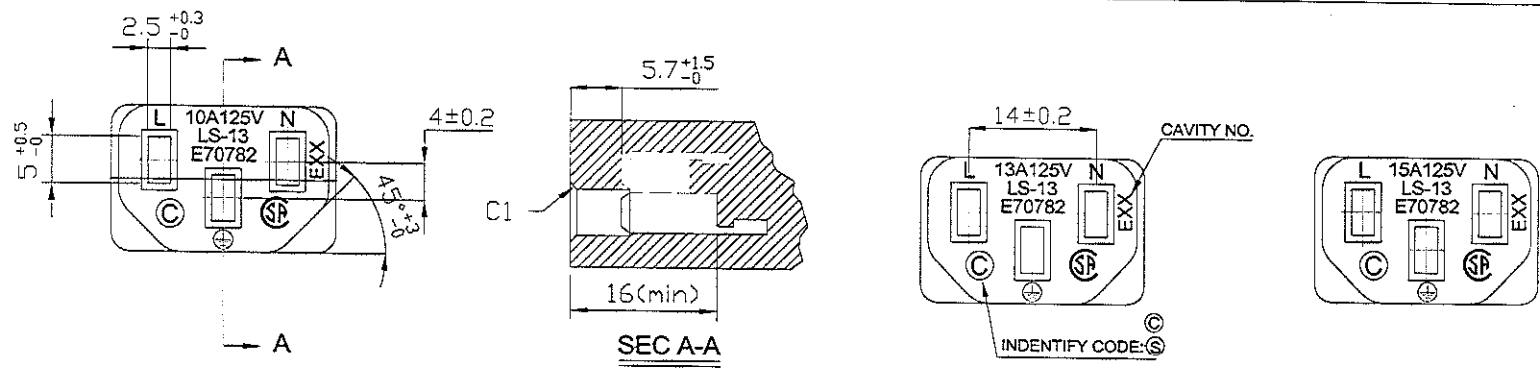
 **LINETEK**  
Everfull Electronic (HuiZhou) Co.,Ltd.

Description: LP-30B(UL+CSA)(雙頭)

Material: P.V.C View: 

Scale: XX Unit: mm

Specification Use Only Dwg.No.: MLD-ALPA208 REV 1.0



1		Original Picture		2018.11.16
REV	ECN NO	DESCRIPTION	APPD.	DATE

Suitable Flexible cord: SVT 18AWG/3C SJT 18AWG/3C SVT 18AWG/3C AL/CX SHIELDED SJT 18AWG/3C AL/CX SHIELDED SPT-1 18AWG/3C SPT-2 18AWG/3C SJT 16AWG/3C SJT 16AWG/3C AL/CX SHIELDED SJT 14AWG / 3C	Tolerance:	Approve: <i>[Signature]</i>	<b>LINETEK</b> Everfull Electronic (Huizhou) Co.,Ltd.		
	>0 ±0.3 >5 ±0.5 >10 ±1 >20 ±2	Checked:			Engineer:
	Angle: ±1°	Drawn: G J P	Date: 2018.11.16	Material: P.V.C	View:
	Specification Use Only			Scale: XX	Unit: mm
				Dwg.No.: MLD-ALSA035	REV 1.0

怡富萬電業有限公司

文件編號: EF<sub>3</sub>-WRD-b178

製定日期: 2005. 08. 25

修改日期: 2008. 01. 09

**PRODUCT SPEC**

版 本: 1. 3

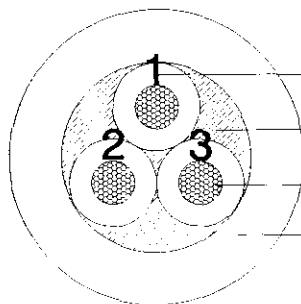
頁 次: 1/1

Item	Unit	Specification
<b>Product</b>		SVT
Conductor	Size	AWG 18
	Material	Annealed Soft Bare Copper Wire
	Number	C 3
	Construction	pcs/mm 41/0.16
Insulation	Material	PVC
	Min.Thickness	mm 0.33
	Min.Avg.Thickness	mm 0.38
	Diameter	mm 2.10±0.05
Filler	Material	PP
Cadre	Construction	See Cross-Section
Jacket	Material	PVC
	Min.Thickness	mm 0.61
	Min.Avg.Thickness	mm 0.76
	Diameter	mm 6.40±0.15
	Color	By Order
Marking	(UL) E138949-E SVT 3/C 18AWG(0.824mm <sup>2</sup> ) 60°C 300V VW-1 --LINETEK-- CSA LL90989 SVT 3/C 18AWG(0.824mm <sup>2</sup> ) 60°C 300V FT2 "LF"	

**Electrical & Physical Property**

Item	Unit	Specification	Standard
Conductor Resistance	Ω/KM	AT 20°C	Max.22.4
Insulation Resistance	MΩ/kft	AT 15°C	Min 2.5
Dielectric Withstand	VAC/1min	1500	NO Breakdown
Flame Test	Sec	VW-1	Max.60

Cross-Section View:



Insulation  
Filler(PP)  
Conductor  
Jacket

Color Code:

1	Brown
2	Blue
3	Yellow/Green

Approved: *[Signature]*

Checked: *[Signature]*

Engineer: 金星





Everfull Electronic (Huizhou) Co.,Ltd.

# BILL OF MATERIALS

CUSTOMER P/N	TPS					DATE	2019.08.08
RFS NO.	KW19070159					PAGE	1/1
NO.	SUB PART	RAW MATERIAL				REMARK	
		MANUFACTURER	GENERAL NAME	TYPE	FLAME CLASS		
1	FLEXIBLE CORD:	All the materials approved by Everfull can be used	CABEL WIRE	UL SVT #18/3C 60°C BLACK			
2	PLUG:LP-30B	All the materials approved by Everfull can be used	PVC(BLACK)	P0000-45-B0000			
		All the materials approved by Everfull can be used	PLUG	TAW0107---			
3	CONNECTOR: LS-13	All the materials approved by Everfull can be used	PVC(BLACK)	P0000-45-B0000			
		All the materials approved by Everfull can be used	TERMINAL	YU0-P8S0001			
		All the materials approved by Everfull can be used	INNER COVER	HAPBT90000111A			
		All the materials approved by Everfull can be used	INNER COVER	HAPBT90000111B			
4	PE MINI TIE	All the materials approved by Everfull can be used	PE MINI TIE(BLACK)	CMI00004000			
5	PO BAG	All the materials approved by Everfull can be used	WATERPROOF PO BAG( 88*66cm)	CPEO88066001			
6	CARTON	All the materials approved by Everfull can be used.	490*290*222mm	CRTKK4902902225			
7	LABEL	All the materials approved by Everfull can be used.	50*10mm	XXXXXX			

APPROVED BY:JAMES

CHECKED BY:CHENBAO

MADE BY:MAOYONGXIN



File E70782SP

Vol 1

Auth. Page 1

Issued: 1980-09-23

Revised: 2018-02-14

FOLLOW-UP SERVICE PROCEDURE  
(TYPE R)

UNLISTED COMPONENT

ATTACHMENT PLUGS, FUSELESS  
(AXUT3,AXUT9)

Manufacturer: SEE ADDENDUM FOR MANUFACTURER LOCATIONS

Applicant: 551292 (Party Site)  
TAIWAN LINE TEK ELECTRONIC CO LTD  
(632350-001) 272 SEC 3 BEI SHEN RD  
SHEN KENG DISTRICT  
NEW TAIPEI  
222 TAIWAN

This Follow-Up Service Procedure authorizes the above Manufacturer(s) to use the marking specified by UL LLC, or any authorized licensee of UL LLC, including the UL Contracting Party, only on products when constructed, tested and found to be in compliance with the requirements of this Follow-Up Service Procedure and in accordance with the terms of the applicable service agreement with UL Contracting Party and any applicable Service Terms. The UL Contracting Party for Follow-Up Services is listed on addendum to this Follow-Up Service Procedure ("UL Contracting Party"). UL Contracting Party and UL LLC are referred to jointly herein as "UL."

UL further defines responsibilities, duties and requirements for both Manufacturers and UL representatives in the document titled, "UL Mark Surveillance Requirements" that can be located at the following web-site: <http://www.ul.com/fus> and in the document titled "UL and Subscriber Responsibilities" that can be located at the following website: <http://www.ul.com/responsibilities>. Manufacturers without Internet access may obtain the current version of these documents from their local UL customer service representative or UL field representative. For assistance, or to obtain a paper copy of these documents or the applicable Service Terms, please contact UL's Customer Service at <http://ul.com/aboutul/locations/>, select a location and enter your request, or call the number listed for that location.

The Applicant and the specified Manufacturer(s) in this Follow-Up Service Procedure must agree to receive Follow-Up Services from UL Contracting Party. If your applicable agreement is a Global Services Agreement ("GSA") with an effective date of January 1, 2012 or later and this Follow-Up Service Procedure is issued on or after that effective date, the Applicant and the specified Manufacturer(s) will be bound to a Service Agreement for Follow-Up Services upon the earliest by any Subscriber of use of the prescribed UL Mark, acceptance of the factory inspection, or payment of the Follow-Up Service fees which will incorporate such GSA, this Follow-Up Service Procedure and the Follow-Up Service Terms which can be accessed by clicking here: <http://www.ul.com/contracts/Terms-After-12-31-2011>. In all other events, Follow-Up Services will be governed by and incorporate the terms of your applicable service agreement and this Follow-Up Service Procedure.

It is the responsibility of the Manufacturer to make sure that only the products meeting the aforementioned requirements bear the authorized Marks of UL LLC, or any authorized licensee of UL LLC.

This Follow-Up Service Procedure contains information for the use of the above Manufacturer(s) and representatives of UL and is not to be used for any other purpose. It is provided to the Manufacturer with the understanding that it will be returned upon request and is not to be copied in whole or in part.

This Follow-Up Service Procedure, and any subsequent revisions, is the property of UL and is not transferable. This Follow-Up Service Procedure contains confidential information for use only by the above named Manufacturer(s) and representatives of UL and is not to be used for any other purpose. It is provided to the Subscribers with the understanding that it is not to be copied, either wholly or in part unless specifically allowed, and that it will be returned to UL, upon request.

Capitalized terms used but not defined herein have the meanings set forth in the GSA and the applicable Service Terms or any other applicable UL service agreement.

UL shall not incur any obligation or liability for any loss, expense or damages, including incidental, consequential or punitive damages arising out of or in connection with the use or reliance upon this Follow-Up Service Procedure to anyone other than the above Manufacturer(s) as provided in the agreement between UL LLC or an authorized licensee of UL LLC, including UL Contracting Party, and the Manufacturer(s).

UL LLC has signed below solely in its capacity as the accredited entity to indicate that this Follow-Up Service Procedure is in compliance with the accreditation requirements.

Bruce A. Mahrenholz  
Director  
North American Certification Program

LOCATION

1766562 (Party Site)  
Taiwan Line Tek In China Everfull Electronic (Huizhou) Co Ltd  
2 Yi Fu Wan Rd Xiao Peng Gang Village Long Xi Town  
Bo Luo County  
Hui Zhou  
Guang Dong 516121 CHINA  
Factory ID: C  
UL Contracting Party for above site is: UL AG

(838272-001) 542047 (Party Site)  
TAIWAN LINE TEK IN CHINA FONG MA TEK (SUZHOU) CO LTD  
NO 269 DONG JIN RD  
HEDONG HI-TECH INDUSTRIAL PARK  
WUZHONG DISTRICT  
SUZHOU CITY  
JIANGSU 215001 CHINA  
Factory ID: S  
UL Contracting Party for above site is: UL AG

## INDEX

## ATTACHMENT PLUG CAPS:

NEMA  
CONFIGURATION

Cat. No.	Config.	Cord AWG	Current Rating, A	Sec.	Fig.	C-UL
LP-5, -5W, -5S (W)	1-15	20,18,16/2	3,10,13	1	1	No
LP-5W (A)	1-15	20,18,16/2	3,10,13	1	1	No
PA-330B	5-15	18/2	10	1	2	No
PA-208R	1-15	18/2	7	1	3	No
LP-31L	5-15	18,16,14/3	10,13,15	1	4	Yes
LP-31LA	5-15	18,16,14/3	10,13,15	1	-	Yes
LP-31LB	5-15	18,16,14/3	10,13,15	1	-	Yes
LP-14 (W)	1-15	14/2	15	1	5	No
LP-13 (W)	1-15	18,16/2	10,13	1	6	No
LP-13S (W) ,	1-15	18,17,16/2	10,12,13	1	6	No
LP-13WS	1-15	18,17,16/2	10,12,13	1	6	No
LP-31, LP-31S	5-15	18,16,14/3	10,13,15	1	7	No
LP-30B, LP-30BS	5-15	18,16/3	10,13	1	8	No
LP-32L	6-20	18,16,14/3	10,13,15	1	11	No
LP-41	5-20	16,14,12/3	13,15,20	1	12	No
LP-41L	5-20	16,14,12/3	13,15,20	1	12	No
LP-20	5-15	18,16/3	10,13	1	13	No
LP-5 (A.C.1)	1-15	18/2	10	1	14	No
LP-31 (A.C.1)	5-15	18/3	10	1	15	No
LP-116L	1-15	18/2	10	1	16	Yes
LP-36	5-15	18,16/3	10,13	1	20	Yes
LP-116LA	1-15	18/2	10	1	-	Yes
<b>LP-12</b>	<b>1-15</b>	<b>18/2</b>	<b>7,10</b>	<b>1</b>	<b>23</b>	<b>Yes</b>

Note: (A.C.1) - ALTERNATE CONSTRUCTION NO. 1

IEC  
CONFIGURATION

Cat. No.	Config.	Cord AWG	Current Rating, A	Sec.	Fig.	C-UL
LS-14	C14	18,16/3	10,13/125/250	1	9	No
LS-18	C18	18/2	10/125/250	1	10	No
LT-D63	C6	18/3	7/125 or 250	1	18	Yes
LS-8	C8	18/2	7/125 or 250	1	19	Yes
LS-22L	C20	14,12/3	15,20/125 or 250	1	21	Yes
LS-22	C20	14,12/3	15,20/125 or 250	1	22	Yes

IEC  
CONFIGURATION

Cat. No.	Config.	Cord AWG	Electrical Rating, A/V	Sec.	Fig.	C-UL
CA-313	C13	18/3	10/125	3	2	No
LS-15	C5	18,16/3	10,13/125	3	3	No
LS-15 (ALTERNATE CONSTRUCTION NO. 1)	C5	18/3	7/125	3	3	Yes
LS-15 (ALTERNATE CONSTRUCTION NO. 2)	C5	18/3	10/125	3	-	No
LS-13	C13	18,16,14/3	10,13,15/125	3	4	Yes
LS-13L	C13	18,16/3	10,13/125	3	5	No
LS-13VL	C13	18,16/3	10,13/125	3	23	Yes
LS-7CW,7CWA	C7	18/2	7/125	3	6	Yes
LS-7C	C7	18/2	7/125	3	7	No
LS-6,-6W	C1	18/2	7/125	3	8	No
LS-60	C13	18,16/3	10,13/125 or 250	3	9	Yes
LS-21H	C15	18,16/3	10,13/125 or 250	3	11	Yes
LS-16	C13	18,16,14/2	10,13,15/125	3	4	Yes
LS-20H	C17	18/2	10/250	3	10	No
		16/2 (HPN)	15/250	3	10	No
COC11		18/3	2.5/125	4	1	Yes
LS-7H	C7	18/2	7/125 or 250	3	12	Yes
LS-7C (A.C.1)	C7	18/2	7/125	3	13	No
LS-13 (A.C.1)	C13	18/3	10/125	3	14	Yes
LS-7X	C7	18/3 (Functional Ground)	2.5/125 or 250	3	15	Yes
LS-7HL	C7	18/2	2.5,7/125 or 250	3	16	Yes
LS-19	C19	14,12/3	15,20/125 or 250	3	17	Yes
LS-19H	C19	14,12/3	15,20/125 or 250	3	18	Yes
LS-7HW	C7	18/2	7/125 or 250	3	-	Yes
LT-D57	C5	18/3	7/125 or 250	3	19	Yes
LS-15L	C5	18/3	7, 10/125	3	20	Yes
LS-15LR	C5	18/3	7, 10/125	3	21	Yes
LT-D62	C5	18/3	7/125 or 250	3	22	Yes
LS-60LD	C13	18,16/3	10,13/125 or 250	3	24	Yes
LS-19HL	C19	14,12/3	15,20/125 or 250	3	25	Yes
<b>LS-7HD</b>	<b>C7</b>	<b>18/2</b>	<b>7/125 or 250</b>	<b>3</b>	<b>26</b>	<b>Yes</b>

Note: (A.C.1) - ALTERNATE CONSTRUCTION NO. 1

## CURRENT TAP

## NEMA CONFIGURATION

<u>Cat.No.</u>	<u>Config</u>	<u>Cord AWG</u>	<u>Electrical, A/V</u>	<u>Sec.</u>	<u>Fig.</u>	<u>C-UL</u>
LP-6	5-15	18,16,14/3	10,13,15/125	5	1	Yes



File E138949

Vol 5

Auth. Page 1

Issued: 2001-07-16

Revised: 2018-01-04

FOLLOW-UP SERVICE PROCEDURE  
(TYPE L)

FLEXIBLE CORD  
(ZJCZ)

Manufacturer: SEE ADDENDUM FOR MANUFACTURER LOCATIONS

Applicant: 551292 (Party Site)  
TAIWAN LINE TEK ELECTRONIC CO LTD  
(632350-001) 272 SEC 3 BEI SHEN RD  
SHEN KENG DISTRICT  
NEW TAIPEI  
222 TAIWAN

Listee/Classified Co.: 551292 (Party Site)  
SAME AS APPLICANT  
(632350-001)

This Follow-Up Service Procedure authorizes the above Manufacturer(s) to use the marking specified by UL LLC, or any authorized licensee of UL LLC, including the UL Contracting Party, only on products when constructed, tested and found to be in compliance with the requirements of this Follow-Up Service Procedure and in accordance with the terms of the applicable service agreement with UL Contracting Party and any applicable Service Terms. The UL Contracting Party for Follow-Up Services is listed on addendum to this Follow-Up Service Procedure ("UL Contracting Party"). UL Contracting Party and UL LLC are referred to jointly herein as "UL."

UL further defines responsibilities, duties and requirements for both Manufacturers and UL representatives in the document titled, "UL Mark Surveillance Requirements" that can be located at the following web-site: <http://www.ul.com/fus> and in the document titled "UL and Subscriber Responsibilities" that can be located at the following website: <http://www.ul.com/responsibilities>. Manufacturers without Internet access may obtain the current version of these documents from their local UL customer service representative or UL field representative. For assistance, or to obtain a paper copy of these documents or the applicable Service Terms, please contact UL's Customer Service at <http://ul.com/aboutul/locations/>, select a location and enter your request, or call the number listed for that location.

The Applicant, the specified Manufacturer(s) and any Listee/Classified Co. in this Follow-Up Service Procedure must agree to receive Follow-Up Services from UL Contracting Party. If your applicable agreement is a Global Services Agreement ("GSA") with an effective date of January 1, 2012 or later and this Follow-Up Service Procedure is issued on or after that effective date, the Applicant, the specified Manufacturer(s) and any Listee/Classified Co. will be bound to a Service Agreement for Follow-Up Services upon the earliest by any Subscriber of use of the prescribed UL Mark, acceptance of the factory inspection, or payment of the Follow-Up Service fees which will incorporate such GSA, this Follow-Up Service Procedure and the Follow-Up Service Terms which can be accessed by clicking here: <http://www.ul.com/contracts/Terms-After-12-31-2011>. In all other events, Follow-Up Services will be governed by and incorporate the terms of your applicable service agreement and this Follow-Up Service Procedure.



It is the responsibility of the Listee/Classified Co. to make sure that only the products meeting the aforementioned requirements bear the authorized Marks of UL LLC, or any authorized licensee of UL LLC.

This Follow-Up Service Procedure contains information for the use of the above Manufacturer(s) and representatives of UL and is not to be used for any other purpose. It is provided to the Manufacturer with the understanding that it will be returned upon request and is not to be copied in whole or in part.

This Follow-Up Service Procedure, and any subsequent revisions, is the property of UL and is not transferable. This Follow-Up Service Procedure contains confidential information for use only by the above named Manufacturer(s) and representatives of UL and is not to be used for any other purpose. It is provided to the Subscribers with the understanding that it is not to be copied, either wholly or in part unless specifically allowed, and that it will be returned to UL, upon request.

Capitalized terms used but not defined herein have the meanings set forth in the GSA and the applicable Service Terms or any other applicable UL service agreement.

UL shall not incur any obligation or liability for any loss, expense or damages, including incidental, consequential or punitive damages arising out of or in connection with the use or reliance upon this Follow-Up Service Procedure to anyone other than the above Manufacturer(s) as provided in the agreement between UL LLC or an authorized licensee of UL LLC, including UL Contracting Party, and the Manufacturer(s).

UL LLC has signed below solely in its capacity as the accredited entity to indicate that this Follow-Up Service Procedure is in compliance with the accreditation requirements.

Bruce A. Mahrenholz  
Director  
North American Certification Program

LOCATION

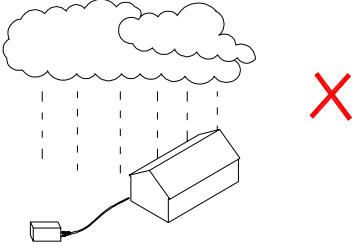
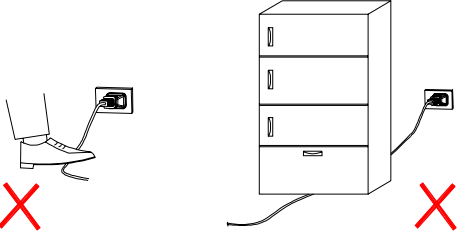
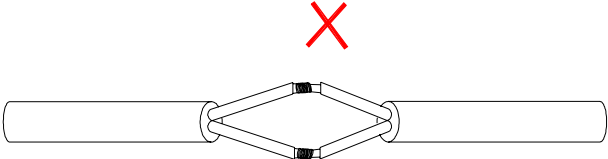
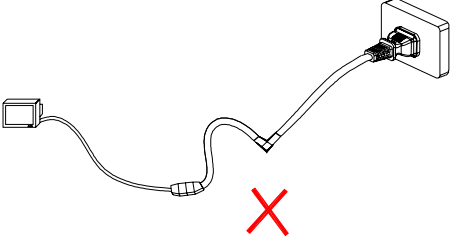
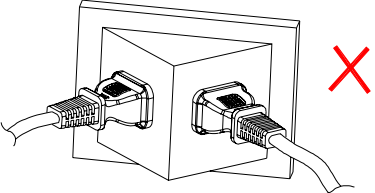
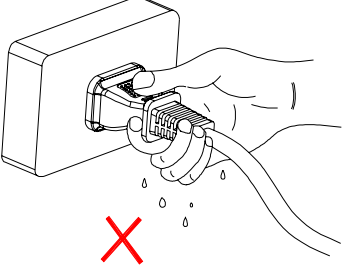
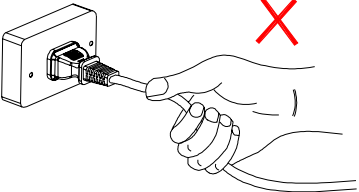
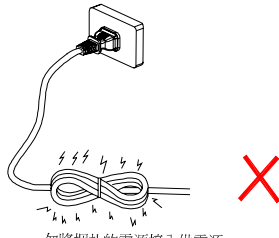
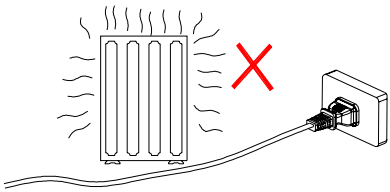
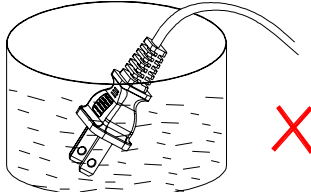
1766562 (Party Site)  
Taiwan Line Tek In China Everfull Electronic (Huizhou) Co Ltd  
2 Yi Fu Wan Rd Xiao Peng Gang Village Long Xi Town  
Bo Luo County  
Hui Zhou  
Guang Dong 516121 CHINA

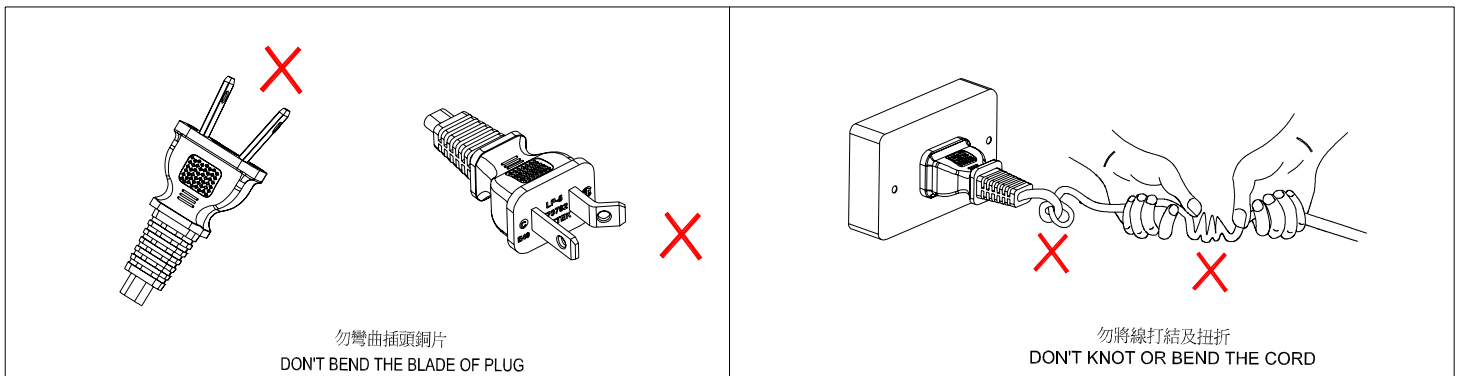
Factory ID: E  
UL Contracting Party for above site is: UL AG

## INDEX

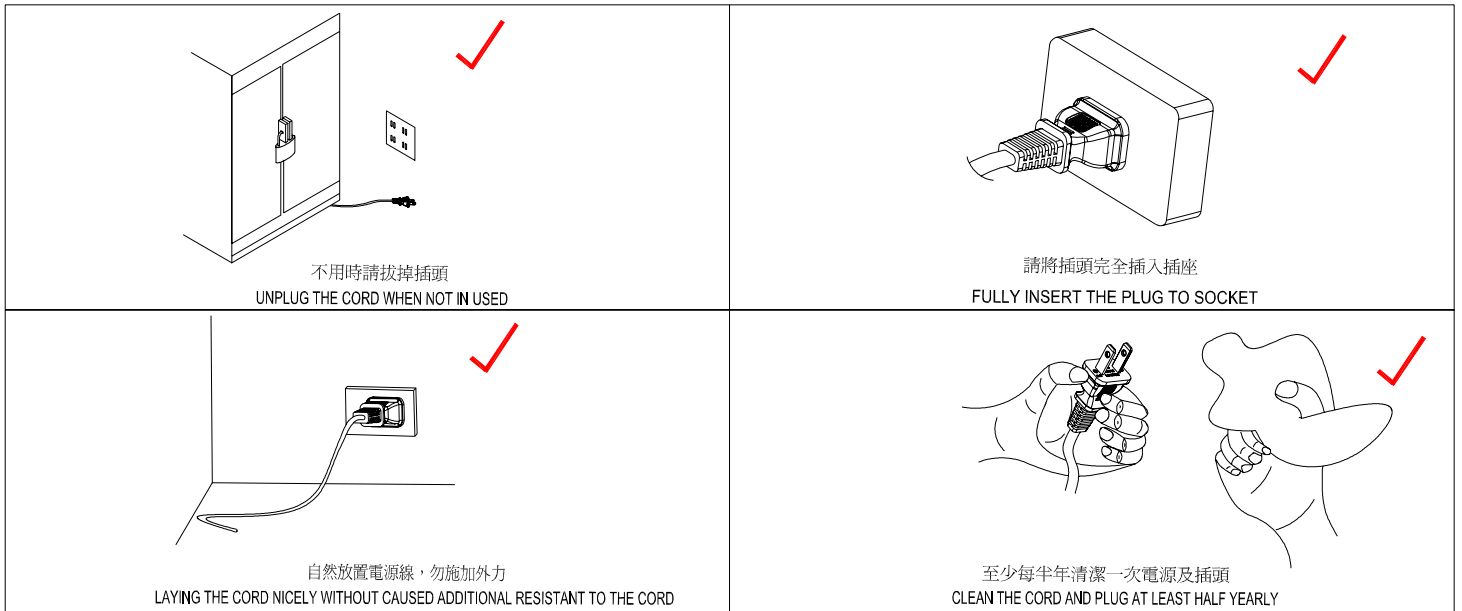
<u>Construction</u>	<u>United States Type</u>	<u>Canadian Type</u>	<u>Section</u>
Parallel Cords: Thermoplastic	SPT-1, SPT-2, SPT-3, NISPT-1, NISPT-2	SPT-1, SPT-2, SPT-3	1
Jacketed Cords: Thermoplastic	SVT, SJT, SJTW ST, STW	SVT, SJT, SJTW ST, STW	2
Parallel Cords: Thermoplastic Elastomer	SPE-1, SPE-2, SPE-3, NISPE-1, NISPE-2	SPT-1, SPT-2, SPT-3 NISPE-1, NISPT-2	3
Jacketed Cords: Thermoplastic Elastomer	SVE, SJE, SE	SVT, SJT, ST	4
<b>Parallel Cords With -R Suffix: Thermoplastic</b>	<b>SPT-2-R</b>	<b>N/A</b>	<b>5</b>
<b>Non-Integral Parallel Cords with-R Suffix: Thermoplastic</b>	<b>NISPT-2-R</b>	<b>N/A</b>	<b>6</b>
<b>Jacketed Cords With -R Suffix: Thermoplastic</b>	<b>SVT-R, SJT-R</b>	<b>N/A</b>	<b>7</b>

1. 產品安全使用說明(PRODUCT SAFETY INSTRUCTION)  
禁忌事項 (DON'T)

 <p>勿置於室外使用 DON'T USE FOR OUTDOOR</p>	 <p>勿對電源線施加額外壓力 DON'T APPLY EXTERNAL FORCE ON THE CORD</p>
 <p>勿將電源線合二為一 DON'T CONNECT TWO CORDS INTO ONE</p>	 <p>勿加長電源線 DON'T CONNECT CORD TO EXTENSION WIRE</p>
 <p>勿將插頭插入多功能插座 DON'T CONNECT PLUG TO MULTI-SOCKET</p>	 <p>勿用濕手插拔插頭 DON'T UNPLUG WITH WET HAND</p>
 <p>勿用拉線的方式去拔插頭 DON'T UNPLUG BY PULLING THE CORD</p>	 <p>勿將捆扎的電源接入供電源 DON'T CONNECT A BINDED CORD TO POWER SUPPLY</p>
 <p>勿將電源線接近熱源 DON'T PLACE A CORD CLOSE TO HEATING ELEMENT</p>	 <p>勿用液體清潔插頭 DON'T CLEAN THE PLUG WITH LIQUID</p>



2. 產品安全使用說明(PRODUCT SAFETY INSTRUCTION)  
使用方法(DO)



3. 處置方式:  
(DISPOSITION METHOD)

