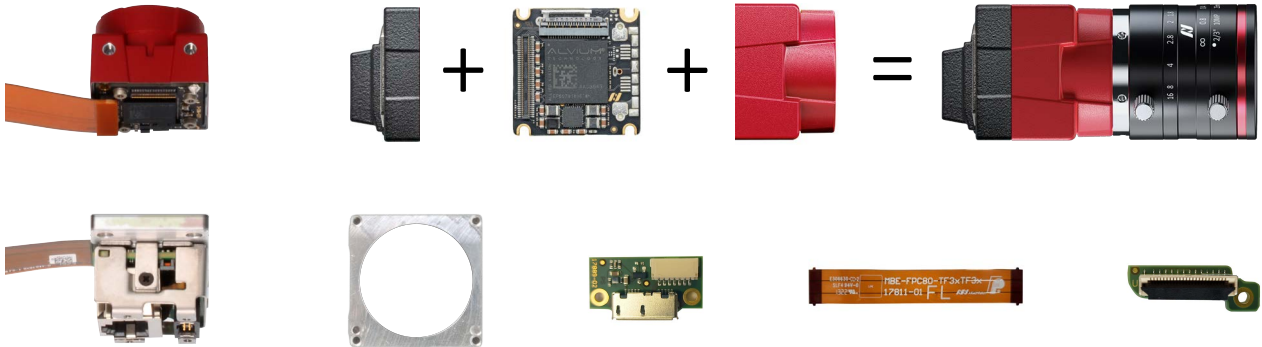


APPLICATION NOTE

Assembling Alvim cameras from CAD Components

All interfaces and modular options

V2.6.0
2024-Feb-28



Scope

Learn to assemble from CAD (STEP) components:

- Various hardware options for housed standard Alvim cameras (all offered interfaces)
- Alvim modular options.

STEP file components for housed Alvim cameras

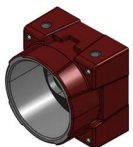
For bare board cameras, you only need the bare board STEP file. Housed cameras are assembled from bare board cameras and housing components. The following components are used for housed standard Alvim USB cameras. STEP files for other housed Alvim cameras are combined from similar components.



Bare board cameras

USB bare board cameras divide into USB 180° (standard) and USB 90°.

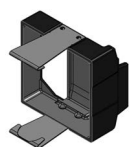
For other interfaces, CSI-2 bare board files are used.



Front housings

C-Mount, CS-Mount, or S-Mount are available.

Because lens mounts cause vignetting with some large sensors, by default, only C-Mount or C-Mount and CS-Mount are offered for these sensors. Other lens mounts are available on request.



Back housings

Back housings divide into 180° (standard) and USB 90°. For the other interfaces, only one version exists.

Downloading STEP files



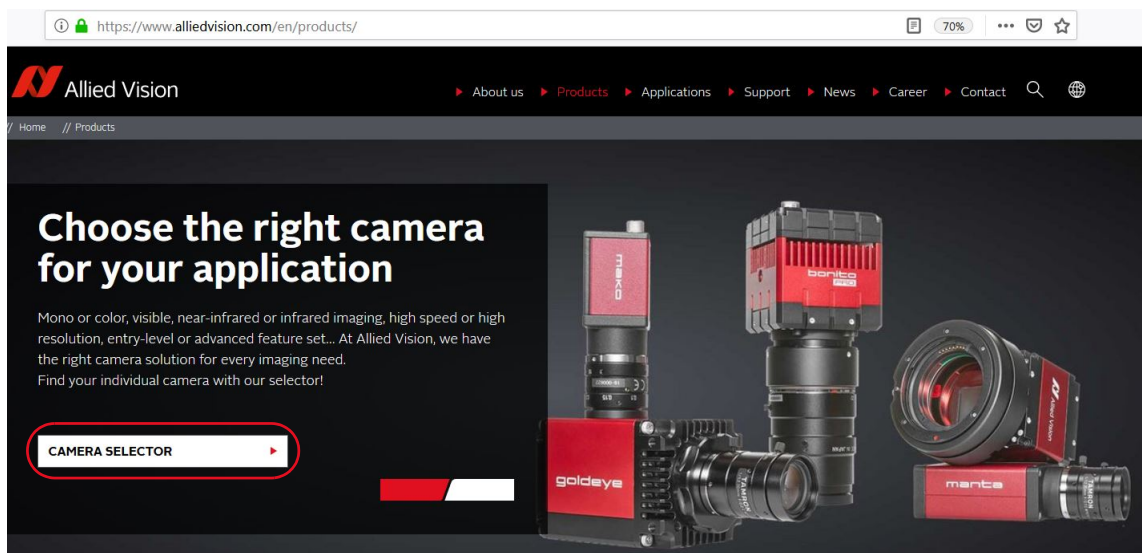
Bare board file versions (from 2023-Aug-17)

Files for Alvium bare board cameras have been updated to the new hardware design according to the product change notification: www.alliedvision.com/fileadmin/content/documents/tqm/PCN/PCN_2023-03-27_Alvium-CSI-2_USB_Mainboard-Version-Update.pdf.

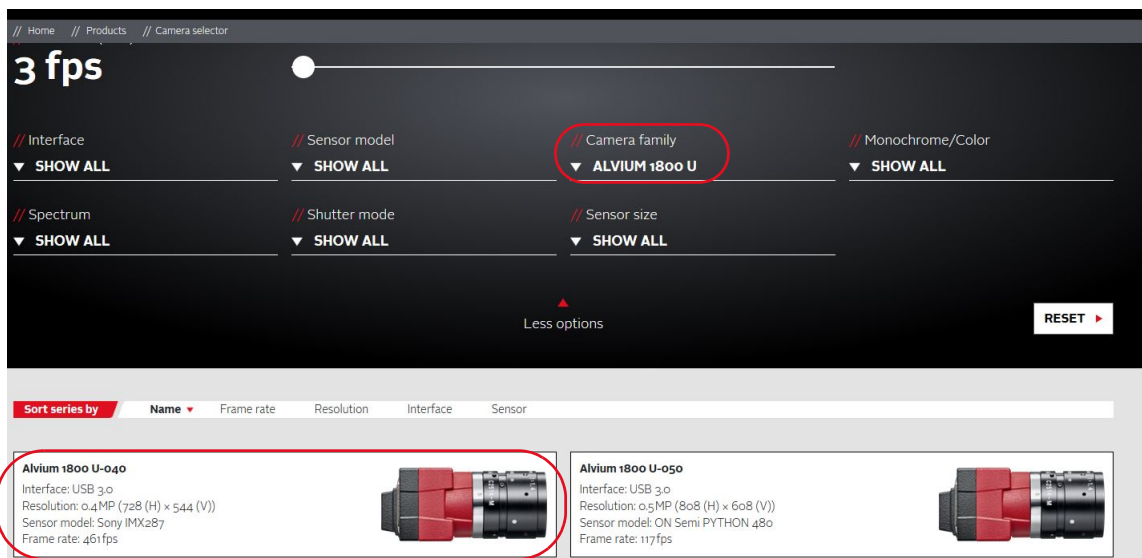
If you need STEP data for the previous hardware design, please visit www.alliedvision.com/en/about-us/contact-us/technical-support-repair-/rma/ to contact our technical support team.

Downloading STEP files for standard Alvium

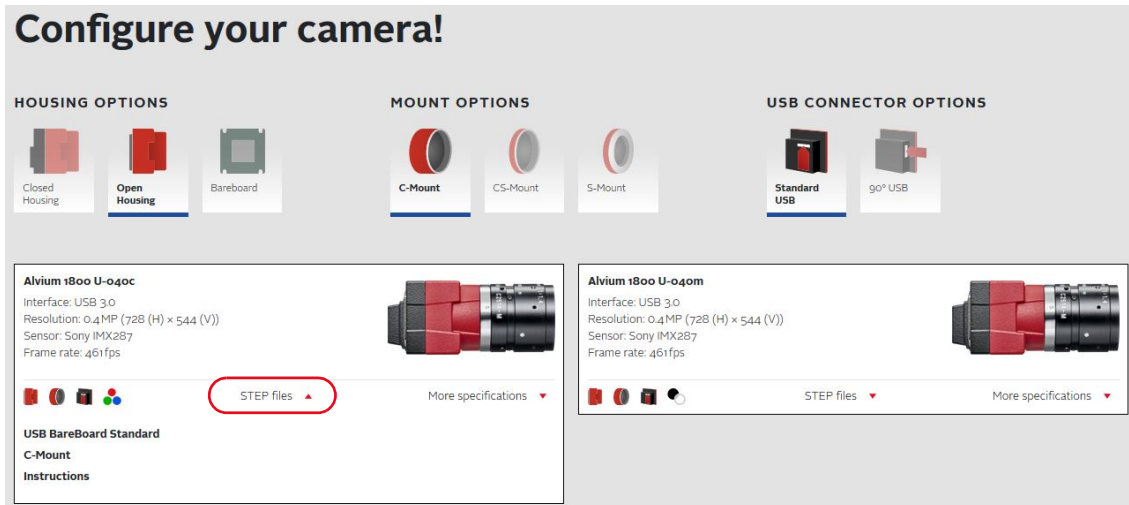
1. Go to the Camera Selector at www.alliedvision.com/en/camera-selector.



2. Select your Alvium model.



- Configure the corresponding hardware option (such as a color Open Housing C-Mount camera)
 In the tile showing your Alvium submodel, open the **STEP files** link.



Configure your camera!

HOUSING OPTIONS

- Closed Housing
- Open Housing**
- Bareboard

MOUNT OPTIONS

- C-Mount**
- CS-Mount
- S-Mount

USB CONNECTOR OPTIONS

- Standard USB**
- 90° USB

Alvium 1800 U-040c

Interface: USB 3.0
 Resolution: 0.4MP (728 (H) x 544 (V))
 Sensor: Sony IMX287
 Frame rate: 461fps

Alvium 1800 U-040m

Interface: USB 3.0
 Resolution: 0.4MP (728 (H) x 544 (V))
 Sensor: Sony IMX287
 Frame rate: 461fps

STEP files More specifications

USB BareBoard Standard
 C-Mount
 Instructions

- Download the files from the link selection shown at the bottom of the tile.

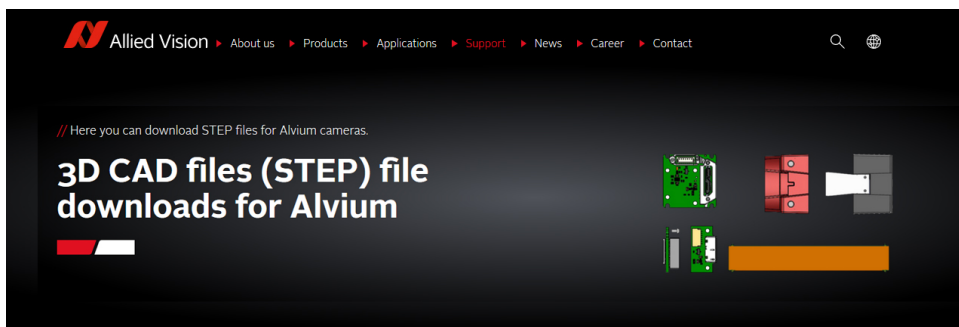
Downloading STEP files for other Alvium cameras

You can find STEP file downloads for Alvium at
www.alliedvision.com/en/support/alvium-step-file-downloads:

- Standard Alvium models, including CSI-2, G1, G5, and USB
- Alvium modular options, such as Alvium Flex, Alvium G1 BL (Board Level), and Alvium Frame
- Accessories, including Alvium Flex accessories, tripod adapter, heat sinks, and IP housings.

This is an example for Alvium Flex.

- Go to the download page: www.alliedvision.com/en/support/alvium-step-file-downloads.
- Select the category to jump, for example, to Alvium bare board cameras.

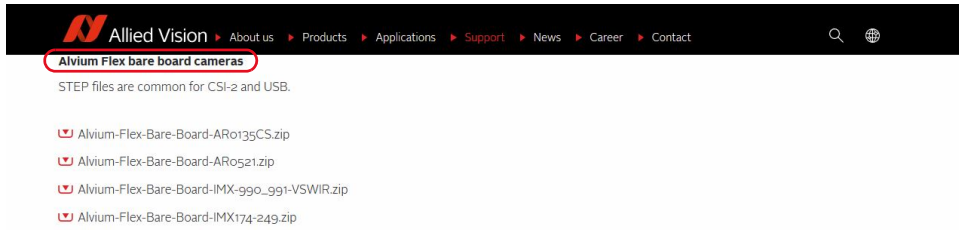


3D CAD files (STEP) file downloads for Alvium

STEP file downloads organized by categories

- Alvium Standard hardware options: Download instructions
- Assembling STEP file components: Instructions
- Alvium housings: STEP files
- Alvium CSI-2 Standard bare board: STEP files
- Alvium USB Standard bare board: STEP files
- Alvium Flex bare board cameras: STEP files**
- Alvium Flex accessories: STEP files

3. Download the corresponding STEP files from the list.



Bare board files

- Standard Alvium USB: Alvium USB bare board files
- Standard Alvium CSI-2, G1, FP3, G5/G5X, GM2: Alvium CSI-2* bare board files
- Alvium Flex, G1 BL (Board Level): Alvium Flex bare board files

* The interface may be different for real cameras, of course.

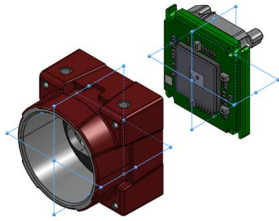


Front housing type

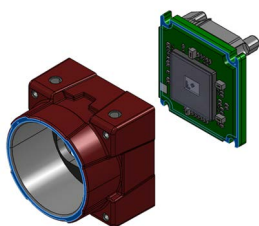
Housed Alvium monochrome and color cameras use front housings with **small** or **large** filter window for C-Mount and CS-Mount. See [Filter size in front housings](#) on page 8 for the corresponding front housing type to match your sensor model.

Assembling STEP files for housed Alvium cameras

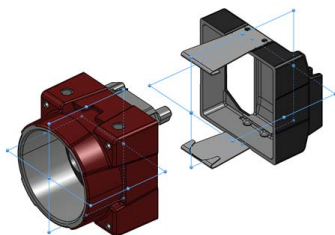
The following instructions show a closed housed standard Alvium USB camera. But they apply to all housed Alvium cameras, including all interfaces and modular options.



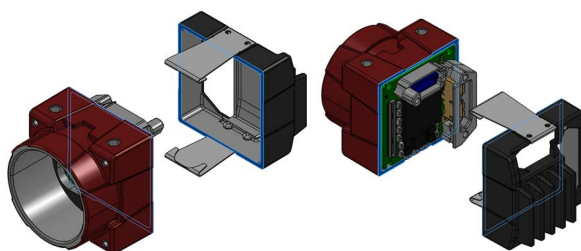
1. Set the vertical and horizontal planes congruent.



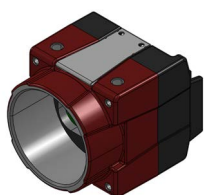
2. Set the distance between the mounting surface and the lens mount front flange. See [Mechanical Length by Alvium camera model](#) on page 9.



3. Set the vertical and horizontal planes congruent.

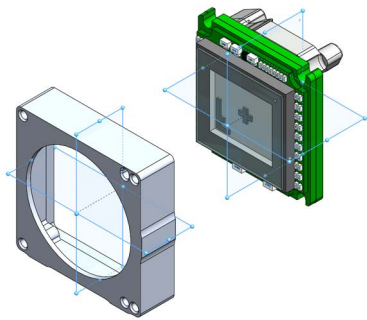


4. Set the blue marked surfaces congruent.

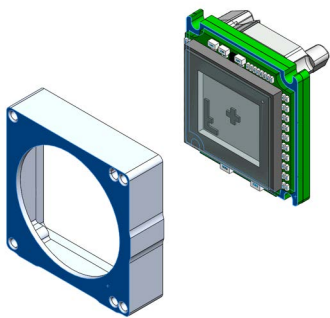


You are done!

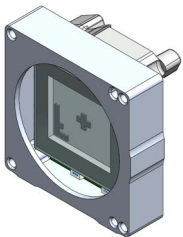
Assembling STEP files for Alvium Frame cameras



1. Set the vertical and horizontal planes congruent.

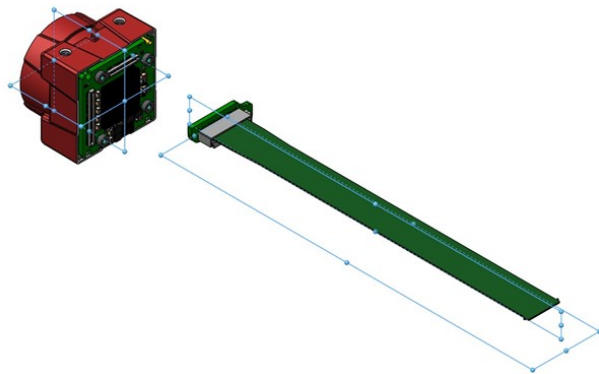


2. Adjust the distance between the front surface of the frame and the mounting surface of the bare board. See [Mechanical Length by Alvium camera model](#) on page 9.

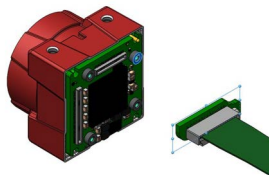


You are done!

Assembling STEP files for Alvium Flex applications



1. Set the vertical and horizontal planes congruent for the Add-on Board and for the camera.



2. Set the remaining plane of the Add-on Board congruent to the surface of the threaded sleeves at the camera back panel.

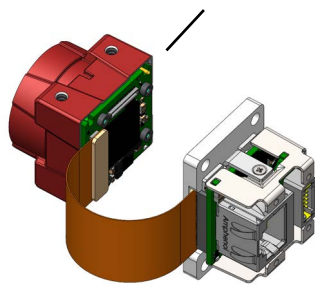
3. Apply correspondingly to join FPC cables with Add-on Boards, Interface Boards, Adapter Boards and embedded boards.

You are done!

Assembling STEP files for Alvium G1 BL STEP applications

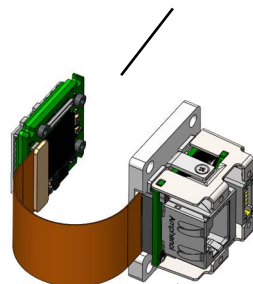
STEP files for Alvium G1 BL cameras are assembled from Alvium Flex bare board cameras, (front housings for sensor units with lens mount), and interface units with FPC cables. Please transfer the instructions shown for [Assembling STEP files for Alvium Flex applications](#) above.

Sensor unit: C-Mount



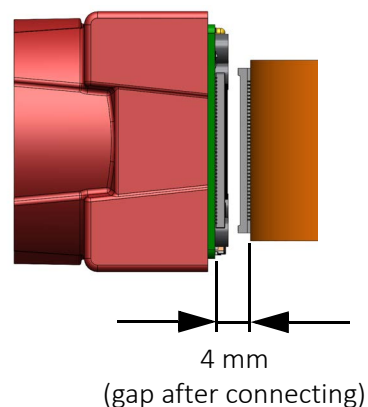
FPC cable

Sensor unit: No Mount



FPC cable

Interface unit



Specifications for Alvium STEP files



Model availability

Some models in the following tables are not available for every camera interface. Please see the corresponding Alvium User Guide for availability.

Filter size in front housings

Housed Alvium monochrome and color cameras use front housings with **small** or **large** filter window for C-Mount and CS-Mount. The size of the filter window depends on the size of the sensor model. For S-Mount, no filter is available. Therefore, a common front housing is used for S-Mount.

Table 1 shows the front housing type for housed Alvium color and monochrome models.



Availability of lens mounts

In general, all sensor models are available with C-Mount, CS-Mount, and S-Mount. To avoid vignetting, we do not offer large sensor models with S-Mount (or CS-Mount) by default where the lens mount does not match the size of the sensor. S-Mount (and CS-Mount) are available on demand for these sensor models.

Alvium model	Lens mount			Alvium model	Lens mount		
	C	CS	S		C	CS	S
030 VSWIR	Small	Small	Default	500m/c	Small	Small	Default
040m/c	Small	Small	Default	501m/c NIR	Small	Small	Default
050m/c	Small	Small	Default	507m/c (Pol)	Large	Large	<i>Default</i>
052m/c	Large	Large	<i>Default</i>	508m/c (Pol)	Large	Large	<i>Default</i>
120m/c	Small	Small	Default	510m/c	Large	Large	Default
130 VSWIR	Small	Small	Default	511m/c	Large	Large	Default
131m/c	Large	Large	Default	530 VSWIR	Large	Large	<i>Default</i>
158m/c	Small	Small	Default	811m/c	Large	Large	<i>Default</i>
192m/c	Large	Large	Default	812 UV	Large	Large	<i>Default</i>
203m/c	Large	Large	Default	895m/c	Large	Large	<i>Default</i>
210m/c	Small	Small	Default	1236m/c	Large	<i>Large</i>	<i>Default</i>
234m/c	Large	Large	<i>Default</i>	1240m/c	Large	Large	Default
235m/c	Large	Large	<i>Default</i>	1242m/c	Large	Large	<i>Default</i>
240m/c	Small	Small	Default	1620m/c	Large	Large	<i>Default</i>
291m/c	Large	Large	<i>Default</i>	2040m/c	Large	Large	<i>Default</i>
319m/c	Large	Large	Default	2050m/c	Large	Large	<i>Default</i>
320 VSWIR	Large	Large	<i>Default</i>	2460m/c	Large	Large	<i>Default</i>

Mount options in *italics* are available on demand. | (Pol): Including Pol models

Table 1: Filter window type of front housings by lens mount

Mechanical Length by Alvium camera model

Mechanical Length (ML) defines the sensor position along the z-axis. This value is common for Alvium cameras using the same sensor model, independent of the camera interface. Not all sensors are available for all interfaces.



Values for Mechanical Length

Standard Alvium, Alvium Flex, and Alvium G1 BL cameras

Mechanical Length (ML) defines the mechanical distance from the mounting area of the sensor to the lens mount front flange, without optical filter.

The values for Mechanical Length (ML) in [Table 2](#) apply to C-Mount. For CS-Mount, values calculate [C-Mount value] – 5 mm. For S-Mount, values depend on your design.

Alvium Frame cameras

Mechanical Length Frame (ML-Frame) defines the mechanical distance from the mounting area of the sensor to the front surface of the frame.

Values calculate [Mechanical Length (ML)] – 13.9 mm

Alvium model	ML: Mechanical length	Alvium model	ML: Mechanical length
030 VSWIR	19.613 mm	500m/c	19.739 mm
040m/c	19.879 mm	501m/c NIR	19.739 mm
050m/c	19.604 mm	507m/c (Pol)	19.929 mm
052m/c	19.713 mm	508m/c (Pol)	19.929 mm
120m/c	19.689 mm	510m/c	19.713 mm
130 VSWIR	19.613 mm	511m/c	19.613 mm
131m/c	19.845 mm	530 VSWIR	19.713 mm
158m/c	19.879 mm	811m/c	19.613 mm
192m/c	19.845 mm	812 UV	19.610 mm
203m/c	19.713 mm	895m/c	19.826mm
210m/c	19.739 mm	1236m/c	19.829 mm
234m/c	19.713 mm	1240m/c	19.763 mm
235m/c	19.713 mm	1242m/c	19.613 mm
240m/c	19.929 mm	1620m/c	19.613 mm
291m/c	19.713 mm	2040m/c	19.613 mm
319m/c	19.929 mm	2050m/c	19.663 mm
320 VSWIR	19.713 mm	2460m/c	19.613 mm

(Pol): Including Pol models

Table 2: Mechanical Length by Alvium camera model

Contact us

Website, email

General

www.alliedvision.com/en/contact
info@alliedvision.com

Distribution partners

www.alliedvision.com/en/avt-locations/avt-distributors

Support

www.alliedvision.com/en/support
www.alliedvision.com/en/about-us/contact-us/technical-support-repair/-/rma

Offices

**Europe, Middle East, and Africa
(Headquarters)**

Allied Vision Technologies GmbH
Taschenweg 2a
07646 Stadtroda, Germany
T// +49 36428 677-0 (Reception)
T// +49 36428 677-230 (Sales)
F// +49 36428 677-28

Asia-Pacific**China**

Allied Vision Technologies
(Shanghai) Co., Ltd.
2-2109 Hongwell Int. Plaza
1602# ZhongShanXi Road
Shanghai 200235, China
T// +86 21 64861133

Singapore

Allied Vision Technologies Asia Pte. Ltd
82 Playfair Rd, #07-01 D'Lithium
Singapore 368001
T// +65 6634 9027

North, Central, and South America**Canada**

Allied Vision Technologies Canada Inc.
300 – 4621 Canada Way
Burnaby, BC V5G 4X8, Canada
T// +1 604 875 8855

USA

Allied Vision Technologies, Inc.
102 Pickering Way- Suite 502
Exton, PA 19341, USA
Toll-free// +1-877-USA-1394
T// +1 978 225 2030

All text, pictures, and graphics are protected by copyright and other laws protecting intellectual property. All content is subject to change without notice. All trademarks, logos, and brands cited in this document are property and/or copyright material of their respective owners. Use of these trademarks, logos, and brands does not imply endorsement.

Copyright © 2024 Allied Vision Technologies GmbH. All rights reserved.