



- IEEE 1394a camera
- Lightweight
- Robust design
- Machine vision camera

### Lightweight and robust

## Guppy - Ultra-compact camera with IEEE 1394a interface

Guppy F-033 with Sony ICX424 runs 58.0 frames per second at 0.3 MP resolution.

Guppy is an ultra-compact, inexpensive IEEE 1394a VGA machine vision camera. This reliable mainstream FireWire camera addresses a wide range of imaging applications. With its ultra-compact, small housing, Guppy is the perfect fit for all applications with space constraints.

Easy software integration with [Allied Vision's Vimba Suite](#) and compatibility to the most popular third party image-processing libraries.

See the [Customization and OEM Solutions webpage](#) for hardware options.

## Specifications

Interface	IEEE 1394a - 400 Mb/s, 1 port
Resolution	656 (H) × 494 (V)
Sensor	Sony ICX424
Sensor type	CCD Progressive
Sensor size	Type 1/3
Pixel size	7.4 μm × 7.4 μm
Lens mount (default)	C-Mount, CS-Mount
Max. frame rate at full resolution	58 fps
ADC	10 Bit

### Output

Bit depth	8-bit
Monochrome pixel formats	Mono8
RGB color pixel formats	n/a
Raw pixel formats	Raw8

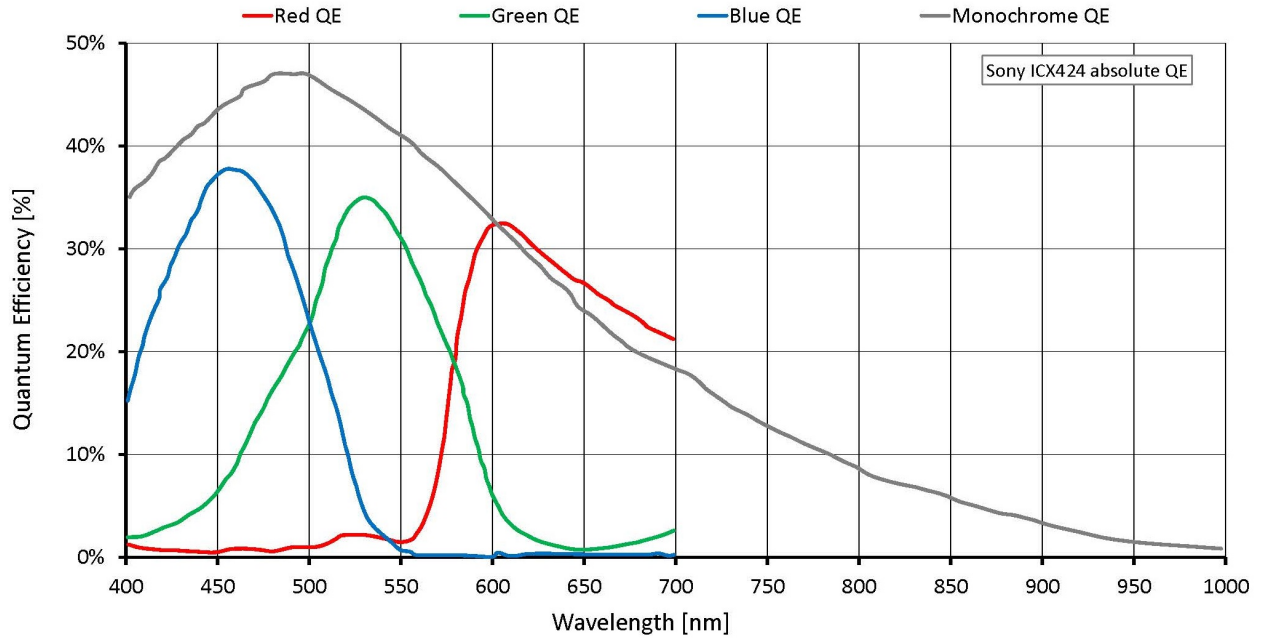
### General purpose inputs/outputs (GPIOs)

TTL I/Os	1 input, 3 outputs
RS232	1

### Operating conditions/dimensions

Operating temperature	+5 °C to +45 °C
Power requirements (DC)	8 V to 36 V
Power consumption	<2 W (@ 12 VDC)
Mass	50 g
Body dimensions (L × W × H in mm)	48.2 × 30 × 30 (including connectors)

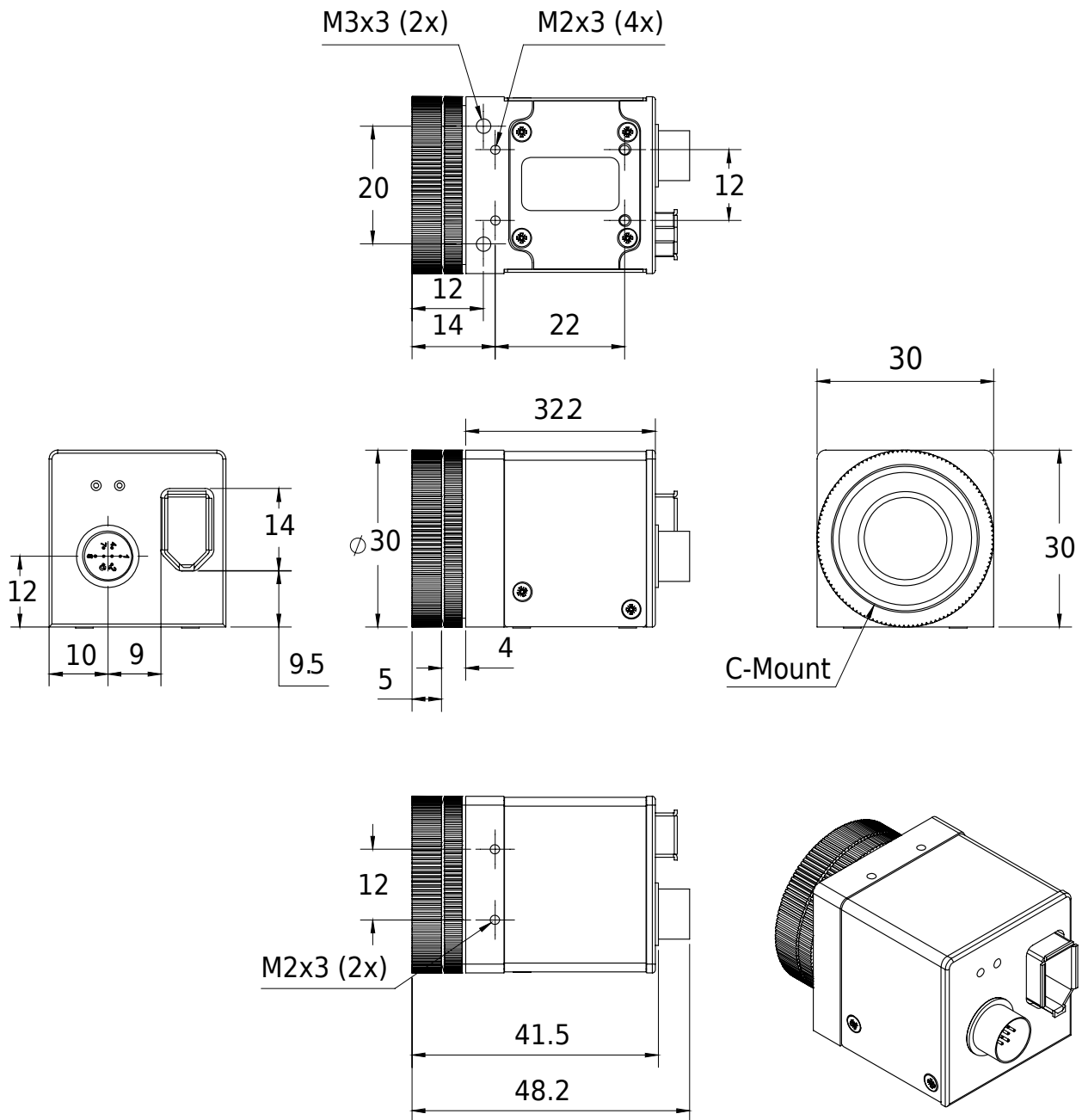
## Quantum efficiency



## Features

- Look-up table (LUT)
- Area of interest (AOI), separate AOI for auto features
- Auto gain (0 to 24 dB)
- Auto exposure (129  $\mu$ s to 67 s)
- Auto white balance
- Storable user sets

## Technical drawing



## Applications

This inexpensive, reliable mainstream VGA machine vision camera addresses a wide range of imaging applications. With its ultra-compact, small housing, the Guppy F-033B/F-033C is the perfect fit for all applications with space constraints.

- Machine vision
- Robotics (robust housing, lightweight camera)
- Quality control
- Ophthalmology
- Semiconductor inspection
- Industrial inspection
- ITS/Traffic monitoring