



Guppy PRO

F-046

- Compact 0.5 MP camera
- Robust metal housing
- Sony ICX415 sensor
- Optocoupled I/Os

Concentrated simplicity

Guppy PRO – Small economical FireWire camera

Guppy PRO F-046 with Sony ICX415 runs 62.0 frames per second at 0.5 MP resolution.

The Guppy PRO is Allied Vision's smallest economical FireWire camera. Its ultra-compact and extremely robust industrial housing unites quality with performance and enables it to be integrated in the smallest spaces. The wide range of CCD and CMOS sensors with a range of different resolutions enables you to choose the ideal Guppy PRO for your particular needs.

Easy software integration with [Allied Vision's Vimba Suite](#) and compatibility to the most popular third party image-processing libraries.

See the [Customization and OEM Solutions webpage](#) for hardware options.

Specifications

Interface	IEEE 1394b - 800 Mb/s, 1 port
Resolution	780 (H) × 580 (V)
Sensor	Sony ICX415
Sensor type	CCD Progressive
Sensor size	Type 1/2
Pixel size	8.3 μm × 8.3 μm
Lens mount (default)	C-Mount
Max. frame rate at full resolution	62 fps
ADC	14 Bit

Output

Bit depth	8-bit to 12-bit
Monochrome pixel formats	8/12/16
RGB color pixel formats	RGB8
Raw pixel formats	8/12/16

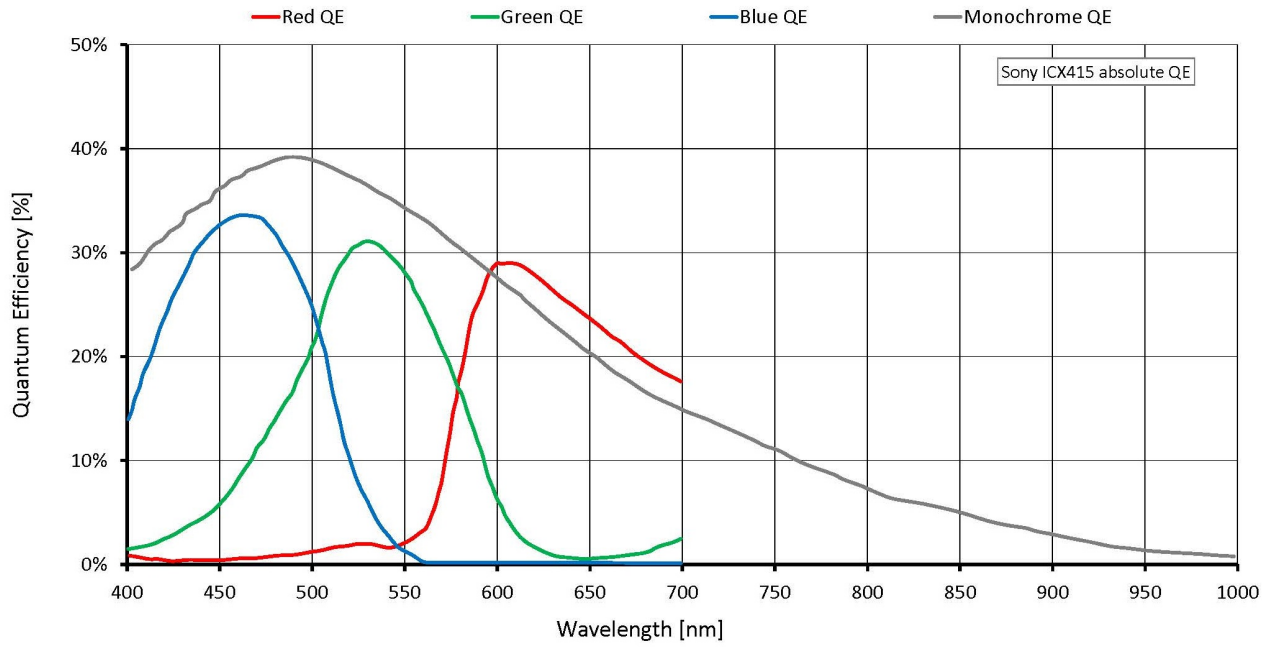
General purpose inputs/outputs (GPIOs)

Opto-isolated I/Os	1/3
--------------------	-----

Operating conditions/dimensions

Operating temperature	+5 °C to +45 °C
Power requirements (DC)	8 V to 36 V
Power consumption	<3.5 W (@ 12 VDC)
Mass	80 g
Body dimensions (L × W × H in mm)	44.8 × 29 × 29 (including connectors)

Quantum efficiency



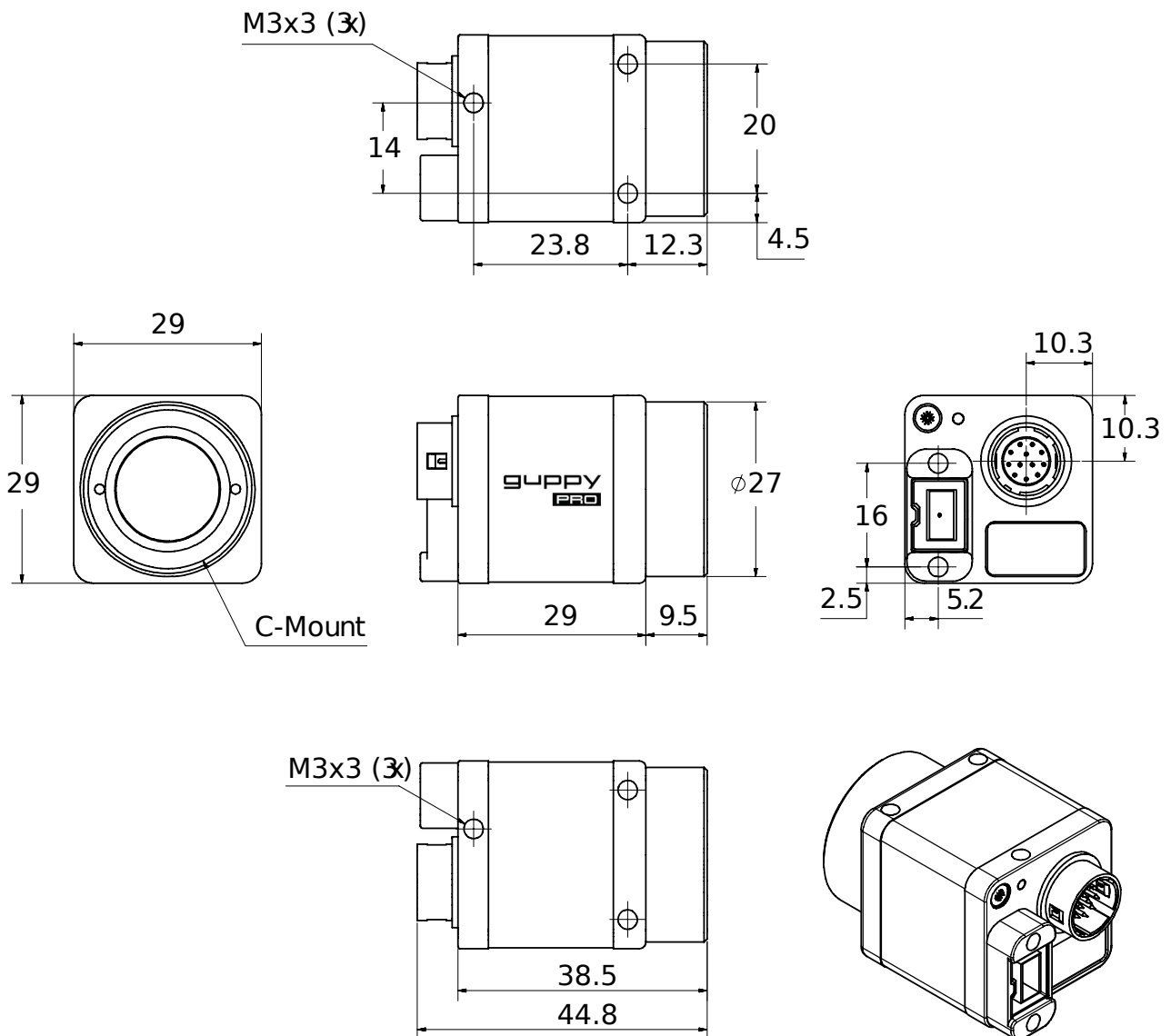
Features

Look-up table (LUT) Gamma correction Color correction Area of interest (AOI), separate AOI for auto features Binning Sub-sampling Auto gain (manual gain control: 0 to 24.4 dB) Auto exposure (41 μ s to 67 s) Trigger programmable, level, single, bulk, programmable delay Storable user sets

Scope of delivery

- Camera and IEEE 1394b cable (other configurations on request)

Technical drawing



Applications

This inexpensive, reliable mainstream machine vision camera addresses a wide range of imaging applications. With its ultra-compact housing, the Guppy PRO F-046B/F-046C is the perfect fit for all applications with space constraints.

- Machine vision
- Robotics (robust housing, lightweight camera)
- Quality control
- Semiconductor inspection
- Industrial inspection

- ITS/traffic monitoring