

Specifications

Interface	USB3 Vision
Resolution	1280 (H) × 1024 (V)
Sensor	ON Semi PYTHON 1300
Sensor type	CMOS
Sensor size	Type 1/2
Pixel size	4.8 μm × 4.8 μm
Lens mount (default)	C-Mount, CS-Mount
Max. frame rate at full resolution	168 fps
ADC	10 Bit
Image buffer (RAM)	128 MByte

Imaging performance

Imaging performance data is based on the evaluation methods in the EMVA 1288 Release 3.1 standard for characterization of image sensors and cameras. Measurements are typical values for monochrome models measured at full resolution without optical filter. Contact Sales or AE for more information.

Quantum efficiency at 529 nm	50 %
Temporal dark noise	8.2 e ⁻
Saturation capacity	6300 e ⁻
Dynamic range	57.1 dB
Absolute sensitivity threshold	9.0 e ⁻

Output

Bit depth	8-bit or 10-bit
Monochrome pixel formats	Mono8, Mono10p

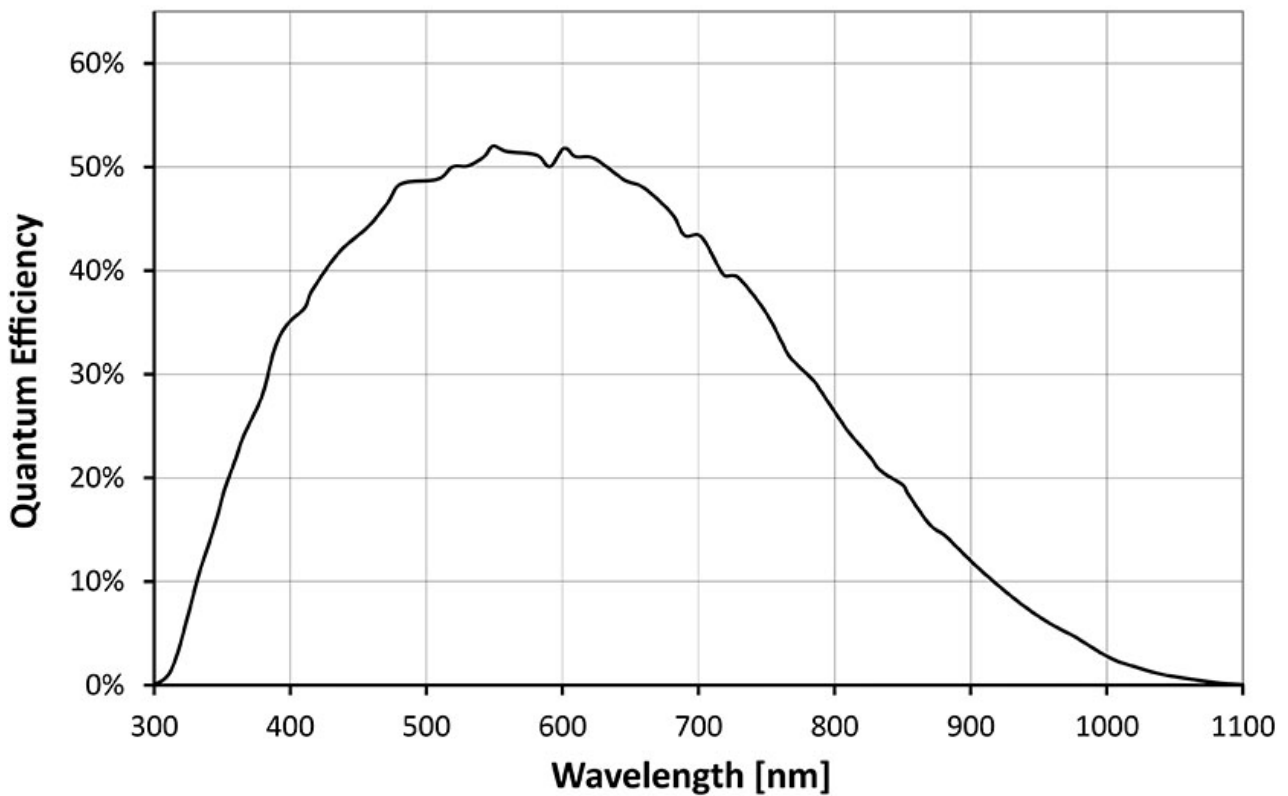
General purpose inputs/outputs (GPIOs)

TTL I/Os	2 programmable GPIOs
Opto-isolated I/Os	1 input, 1 output

Operating conditions/dimensions

Operating temperature	+5 °C to +45 °C (housing temperature)
Power requirements (DC)	Power over USB 3.0
Power consumption	2.7 W at 5 VDC
Mass	60 g
Body dimensions (L × W × H in mm)	49.5 × 29 × 29 (including connectors)

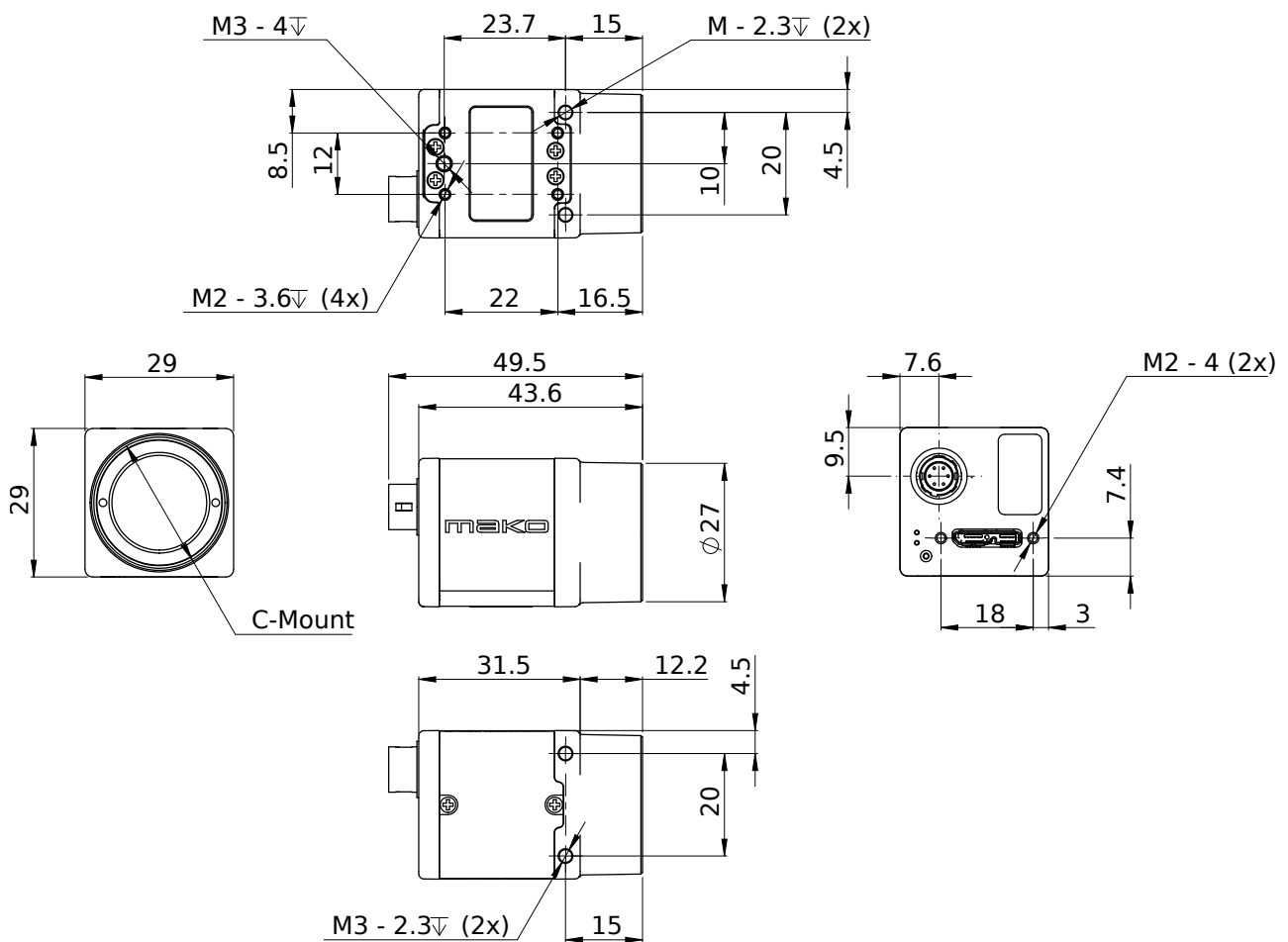
Quantum efficiency



Features

- Defect pixel correction (on/off)
- Fixed pattern noise correction (on/off)
- Region of interest (ROI)
- Gain (manual control, 0 to 20 dB)
- Exposure (manual control, 44.2 μ s to 1.4 s)
- Gamma correction
- Reverse X
- DeviceLinkThroughputLimit (easy bandwidth control)
- Sync out modes: Waiting for a trigger, exposing, readout, imaging
- Storable user sets

Technical drawing



Applications

The Mako U is an inexpensive USB 3.0 camera with a compact housing. USB 3.0 technology has lower latency and jitter times with less CPU load than other camera interfaces.

Typical applications for Mako U cameras:

- Machine vision
- Quality control
- Inspection, surveillance
- Industrial imaging