

# Prosilica GS

## 1380



- Right-angle CCD camera with low height profile
- 30 fps @ full resolution
- Video-type auto iris
- Landscape or portrait sensor orientation

### Landscape or portrait orientation

Right-angle CCD camera with Gigabit Ethernet interface

Prosilica GS 1380 with Sony ICX285 runs 30.0 frames per second at 1.4 MP resolution.

Prosilica GS cameras are periscope-type CCD cameras for industrial and microscopy applications. The compact GS-Series cameras have a Gigabit Ethernet interface (GigE Vision) that allows for very fast frame rates and long cable lengths.

- Compact size
- Very rugged
- Fast frame rates to 120 fps
- VGA to 5 Megapixels
- Landscape or portrait orientation
- Optional white medical housing
- Modular options available

## Specifications

Interface	IEEE 802.3 1000baseT
Resolution	1360 (H) × 1024 (V)
Sensor	Sony ICX285
Sensor type	CCD Progressive
Shutter mode	GS (Global shutter)
Sensor size	Type 2/3
Pixel size	6.45 μm × 6.45 μm
Lens mount (default)	C-Mount
Max. frame rate at full resolution	30 fps
ADC	14 Bit
Image buffer (RAM)	16 MByte

### Output

Bit depth	8-bit or 12-bit
Monochrome pixel formats	Mono8, Mono12, Mono12Packed
YUV color pixel formats	YUV411Packed, YUV422Packed, YUV444Packed
RGB color pixel formats	RGB8Packed, BGR8Packed
Raw pixel formats	BayerRG8, BayerRG12, BayerGR12Packed

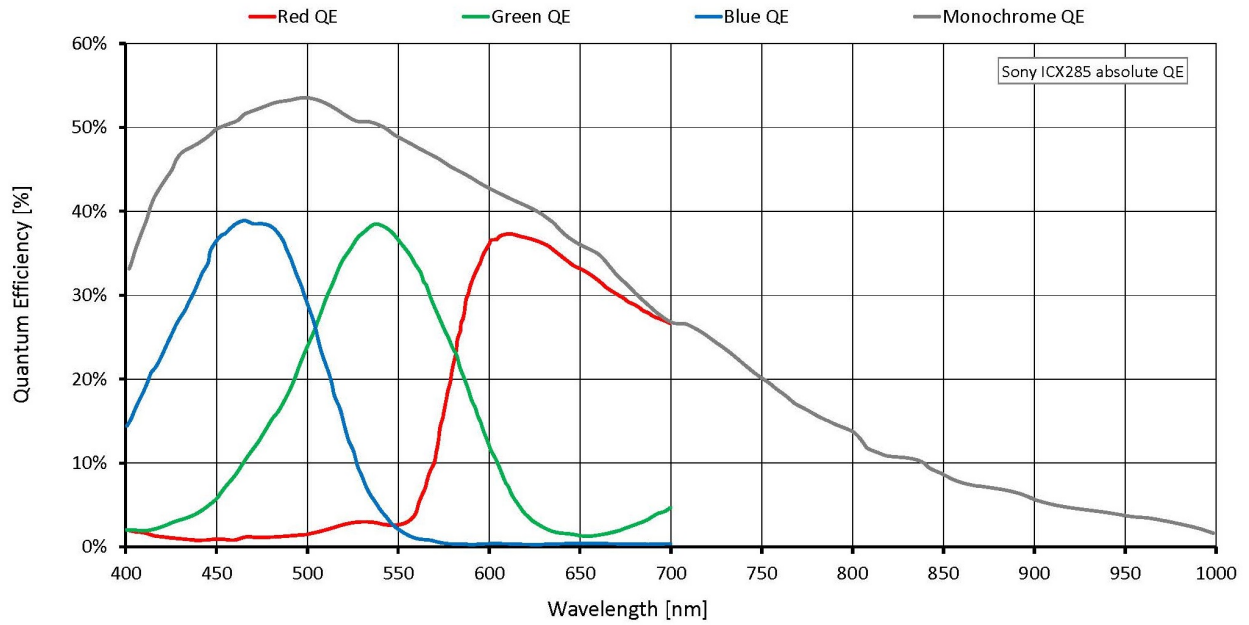
### General purpose inputs/outputs (GPIOs)

TTL I/Os	1 input, 1 output
Opto-isolated I/Os	1 input, 1 output
RS232	1

### Operating conditions/dimensions

Operating temperature	0 °C to +70 °C ambient (without condensation)
Power requirements (DC)	5 to 25 VDC
Power consumption	3.5 W at 12 VDC
Mass	187 g
Body dimensions (L × W × H in mm)	96 × 56 × 26 (including connectors)

## Quantum efficiency

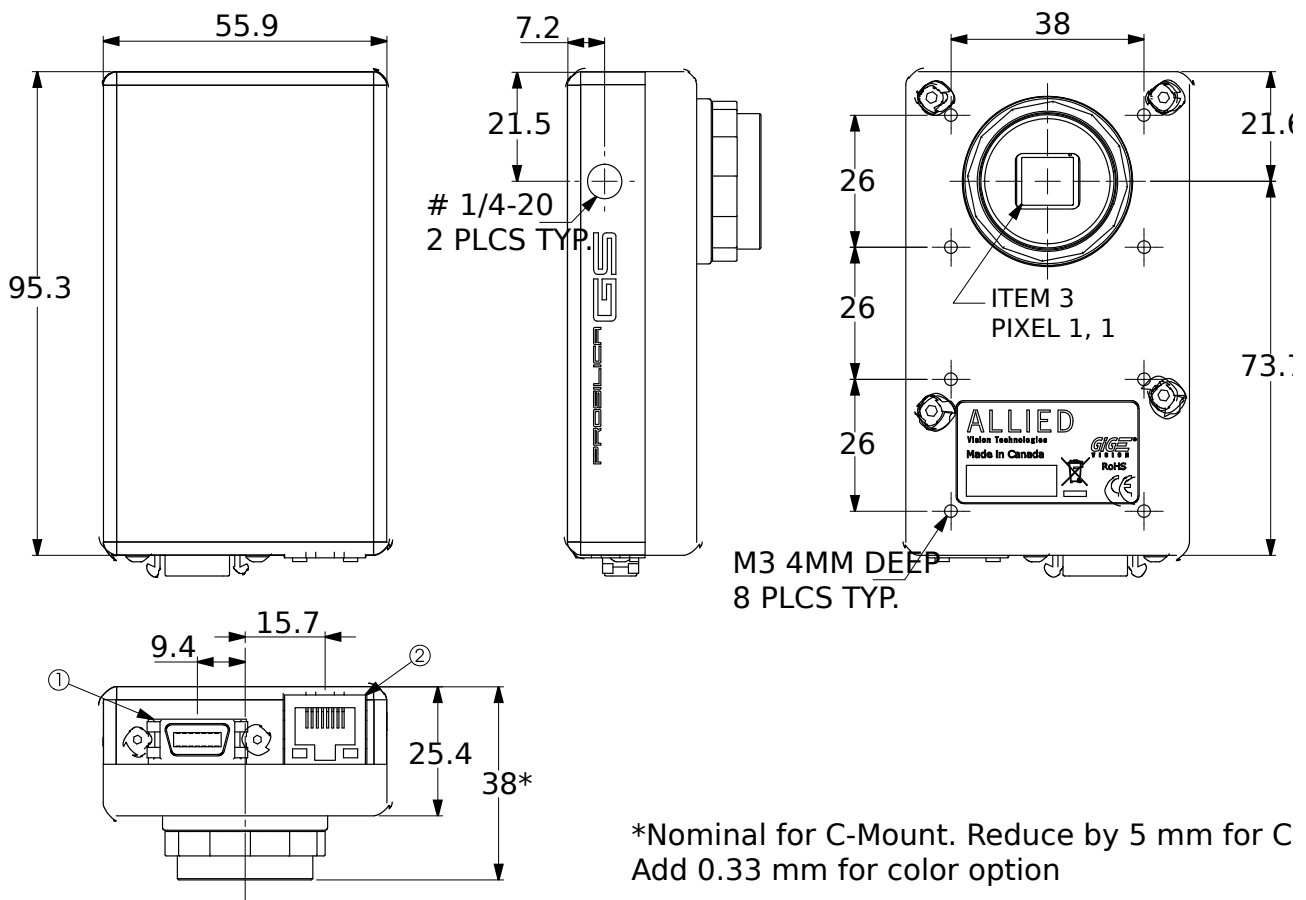


## Features

Prosilica GS1380 features include:

- Auto-iris (video type)
- Region of interest (ROI), DSP subregion (selectable ROI for auto features)
- Binning (Sum)
- Auto gain (manual gain control: 0 to 30 dB)
- Auto exposure (manual exposure controls: 10  $\mu$ s to 78.5 s)
- Auto white balance
- StreamBytesPerSecond (bandwidth control)
- Stream hold
- Sync out modes: Trigger ready, input, exposing, readout, imaging, strobe, GPO
- Global shutter (digital shutter)
- Recorder and Multiframe acquisition modes
- Event channel
- Image chunk data
- Storable user sets

## Technical drawing



## Applications

Prosilica GS1380 is ideal for a wide range of applications including:

- Industrial inspection
- Machine vision
- Microscopy
- Ophthalmology
- Fluorescence
- Aeronautical and aerospace
- Public security
- Surveillance