

Prosilica GX

6600



- 240 MBps with dual interface LAG technology
- 3-axis motorized lens control
- 4 fps at full resolution
- ON Semi KAI-29050 sensor

Shift up to double speed

The fastest Gigabit Ethernet cameras in the world -
240MB/s

Prosilica GX 6600 搭载 ON Semi KAI-29050 传感器，在 28.8 MP 分辨率下速度可达 4.0 帧/秒。

Prosilica GX cameras are fast, compact machine vision cameras with Gigabit Ethernet interface (GigE Vision®). The GX-Series have two screw-captivated Gigabit Ethernet ports configured as a Link Aggregation Group (LAG) to provide a sustained maximum data rate of 240 MBytes per second. Prosilica GX can also work at half the bandwidth (120 MB/s) using a single cable.

- Very Fast - 240 MB/s
- 3-axis motorized lens control and video-type autoiris
- Single or dual Ethernet port operation
- 1 to 29 Megapixel
- Fast frame rates upto 112 fps
- OnSemi KAI or Sony quad-tap CCD sensors
- Modular options available

性能参数

接口	IEEE 802.3 1000baseT
分辨率	6576 (H) × 4384 (V)
传感器	ON Semi KAI-29050
传感器类型	CCD Progressive
快门种类	GS (Global shutter)
传感器尺寸	Type 35 mm
像元尺寸	5.5 μm × 5.5 μm
标准镜头接口	F-Mount
最大满帧帧率	4 fps
ADC	14 Bit
缓存 (RAM)	128 MByte

输出

Bit 位数	14-bit (monochrome); 12-bit (color)
黑白像素格式	Mono8, Mono12, Mono12Packed, Mono14
RGB 彩色像素格式	RGB8Packed, BGR8Packed, RGBA8Packed, BGRA8Packed, RGB12Packed
原始像素格式	BayerGR8, BayerGR12, BayerGR12Packed

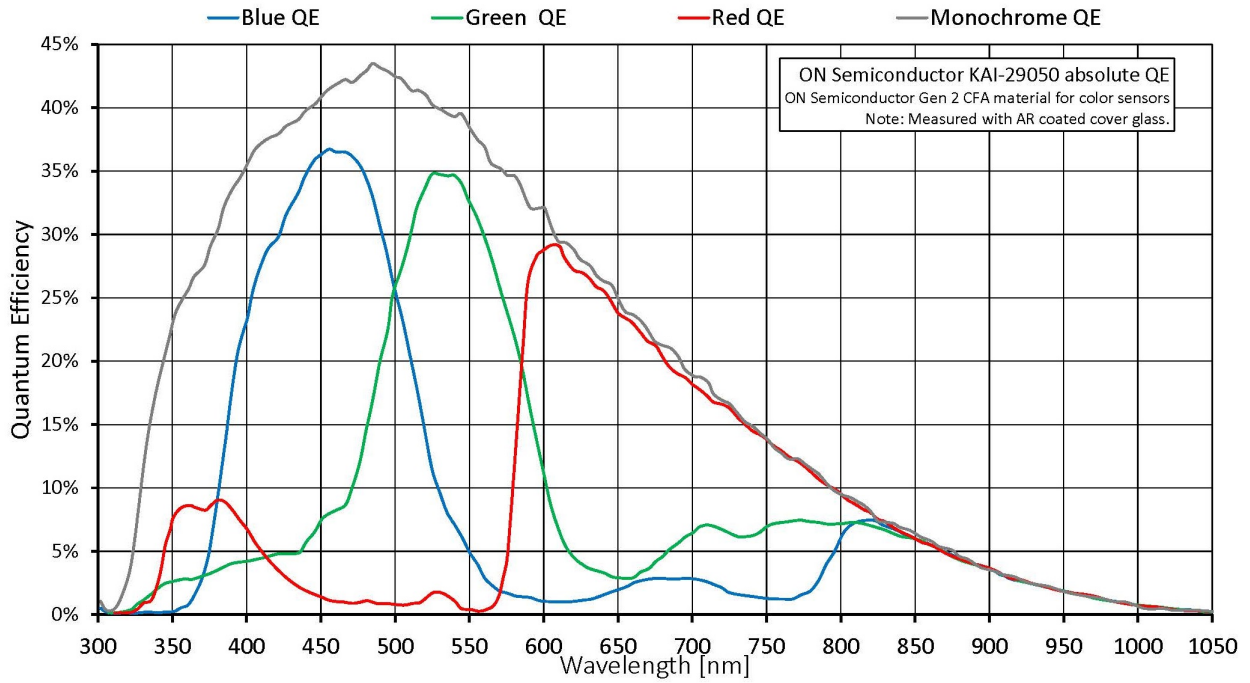
通用输入输出口 (GPIOs)

光耦 I/Os	2 inputs, 4 outputs
RS232	1

工作条件/尺寸

工作温度	0 °C to +50 °C ambient (without condensation)
电源要求 (DC)	10 to 24 VDC
功耗	6.1 W at 12 VDC (Single GigE Mode); 7.6 W at 12 VDC (Dual GigE Mode)
重量	510 g
尺寸 (L × W × H in mm)	136.6 × 59.7 × 59.7 (including connectors and lens mount)

量子转换效率



特性

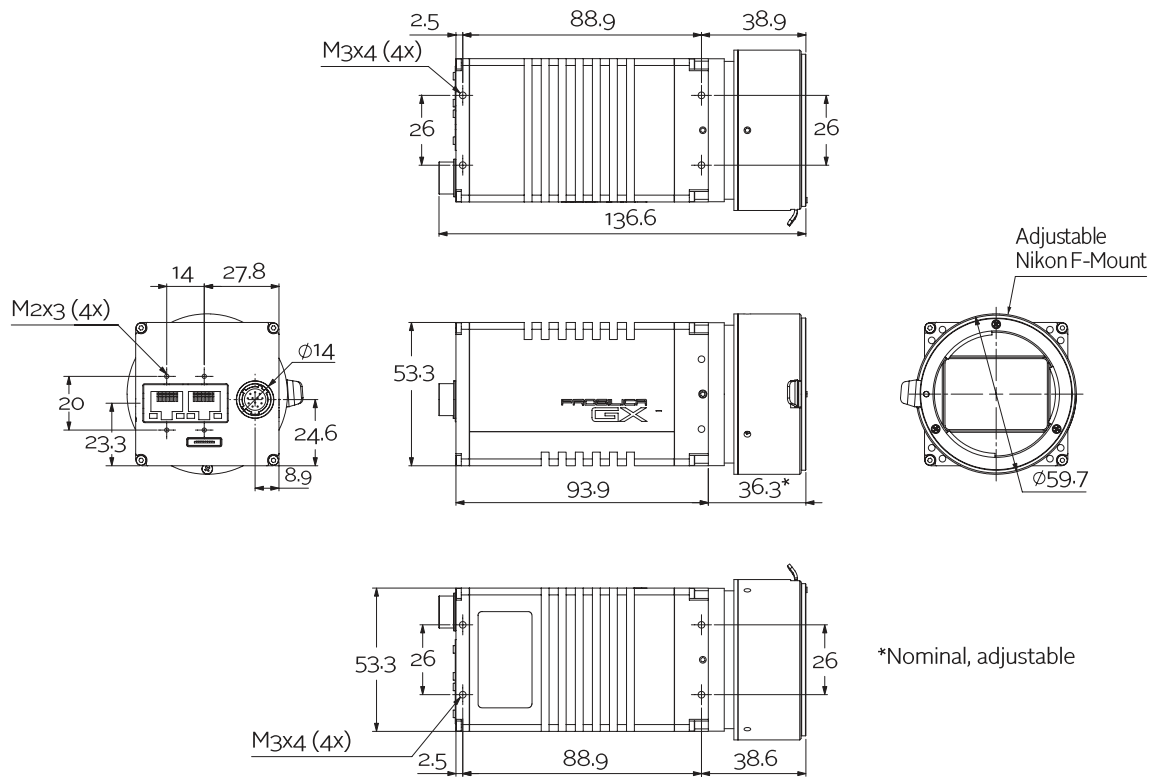
Image optimization features:

- Auto gain (manual gain control: 0 to 34 dB)
- Auto exposure (manual exposure control: 30 μ s to 60 s)
- Auto white balance (GX6600C only)
- Binning (Sum)
- Region of interest (ROI), separate ROI for auto features

Camera control features:

- 3-axis motorized lens control
- Auto-Iris (video type)
- Event channel
- Global shutter (digital shutter)
- Image chunk data
- Recorder and Multiframe acquisition modes
- RS232
- Storable user sets
- StreamBytesPerSecond (bandwidth control)
- StreamHold
- Sync out modes: Trigger ready, input, exposing, readout, imaging, strobe, GPO

外形尺寸



*Nominal, adjustable

Prosilica GX6600 is ideal for a wide range of applications including:

- LCD panel inspection
- High-resolution industrial inspection
- 3D metrology, general machine vision
- Public security
- Military surveillance
- Traffic imaging (Intelligent Traffic Systems)
- Embedded systems
- OEM applications
- Other machine vision applications